

As of 12 May 2021, this is the most current version available. It is current for the period set out in the footer below.

Last amendment included: M.R. 5/2017.

Le texte figurant ci-dessous constitue la codification la plus récente en date du 12 mai 2021. Son contenu était à jour pendant la période indiquée en bas de page.

Dernière modification intégrée : R.M. 5/2017.

THE BUILDINGS AND MOBILE HOMES ACT
(C.C.S.M. c. B93)

Manitoba Building Code

Regulation 31/2011
Registered March 28, 2011

Adoption of National Building Code of Canada 2010

1 Subject to the amendments set out in the Schedule to this regulation, and to sections 1.1 and 2.1, the *National Building Code of Canada 2010*, issued by the Canadian Commission on Building and Fire Codes, National Research Council Canada, is adopted as the building code in Manitoba.

M.R. 14/2012; 175/2012

Amendments to National Code not adopted

1.1(1) Amendments made to the *National Building Code of Canada 2010* on or after December 1, 2012 are not adopted in Manitoba, and no such amendment forms part of the Manitoba Building Code.

Repeal

1.1(2) This section is repealed on April 1, 2016.

M.R. 175/2012; 52/2015

LOI SUR LES BÂTIMENTS ET LES MAISONS
MOBILES
(c. B93 de la C.P.L.M.)

Code du bâtiment du Manitoba

Règlement 31/2011
Date d'enregistrement : le 28 mars 2011

Adoption par renvoi

1 Sous réserve des modifications figurant à l'annexe du présent règlement et des articles 1.1 et 2.1, le *Code national du bâtiment — Canada 2010*, publié par la Commission canadienne des codes du bâtiment et de prévention des incendies, Conseil national de recherches du Canada, est adopté à titre de code du bâtiment pour le Manitoba.

R.M. 14/2012; 175/2012

Modifications apportées au Code national

1.1(1) Les modifications apportées au *Code national du bâtiment — Canada 2010* à compter du 1^{er} décembre 2012 ne sont pas adoptées au Manitoba et ne font pas partie du *Code du bâtiment du Manitoba*.

Abrogation

1.1(2) Le présent article est abrogé le 1^{er} avril 2016.

R.M. 175/2012; 52/2015

No substitution

1.2 For certainty, no code issued by the Canadian Commission on Building and Fire Codes, National Research Council Canada as a substitution or replacement of the *National Building Code of Canada 2010* is adopted in Manitoba.

M.R. 52/2015

Adoption of ventilation standard

2(1) The provisions of sections 3 and 4 of *The Non-Smokers Health Protection Act* requiring a separate ventilation system in a tobacconist's shop, or in a room designated as a smoking room under that Act, are adopted as building construction standards in Manitoba.

2(2) Subsection (1) does not apply in relation to a place, premises or land described in section 9.4 of *The Non-Smokers Health Protection Act*.

2.1 [Repealed]

M.R. 31/2011; 14/2012; 175/2012; 214/2013

Repeal

3 The *Manitoba Building Code*, Manitoba Regulation 127/2006, is repealed.

Coming into force

4(1) Subject to subsection (2), this regulation comes into force on April 1, 2011.

4(2) Subsections 2(6) to (19) and 2(21) to (37) of the Schedule come into force on January 1, 2012.

Non-application

1.2 Les codes publiés par la Commission canadienne des codes du bâtiment et de prévention des incendies, Conseil national de recherches du Canada, en remplacement du *Code national du bâtiment — Canada 2010* ne s'appliquent pas au Manitoba.

R.M. 52/2015

Adoption des normes de ventilation

2(1) Les dispositions des articles 3 et 4 de la *Loi sur la protection de la santé des non-fumeurs* exigeant un système de ventilation distinct dans les débits de tabac, ou dans les endroits désignés à titre de fumoir ou de chambre pour fumeurs en vertu de cette loi, sont adoptées en tant que normes de construction applicables au Manitoba.

2(2) Le paragraphe (1) ne s'applique pas aux endroits, aux locaux ni aux terres visés à l'article 9.4 de la *Loi sur la protection de la santé des non-fumeurs*.

2.1 [Abrogé]

R.M. 31/2011; 14/2012; 175/2012; 214/2013

Abrogation

3 Le *Code du bâtiment du Manitoba*, R.M. 127/2006, est abrogé.

Entrée en vigueur

4(1) Sous réserve du paragraphe (2), le présent règlement entre en vigueur le 1^{er} avril 2011.

4(2) Les articles 2(6) à (19) et (21) à (37) de l'annexe entrent en vigueur le 1^{er} janvier 2012.

**SCHEDULE
(Section 1)**

AMENDMENTS TO THE NATIONAL BUILDING CODE OF CANADA 2010

1(1) Division A is amended by this section.

1(2) Sentence 1.1.1.1.(3) is struck out.

1(3) [Repealed] M.R. 52/2015

1(4) Article 1.3.3.1. is replaced with the following:

1.3.3.1. Application of Parts 1, 7, 8 and 10

1) Except as provided in Subsections 1.3.5. and 1.3.6. of Division A, Parts 1, 7, 8 and 10 of Division B apply to all *buildings* covered in this Code. (See Article 1.1.1.1.)

1(5) Article 1.3.3.2. is replaced with the following:

1.3.3.2. Application of Parts 3, 4, 5, 6 and 10

1) Subject to Subsections 1.3.5. and 1.3.6. of Division A, Parts 3, 4, 5, 6 and 10 of Division B apply to all *buildings* described in Article 1.1.1.1. that are

- a) classified as *post-disaster buildings*,
- b) used for *major occupancies* classified as
 - i) Group A, *assembly occupancies*,
 - ii) Group B, Division 1, *detention occupancies*, Division 2, *treatment occupancies* or Division 3, *care occupancies*, or
 - iii) Group F, Division 1, *high-hazard industrial occupancies*,
- c) used for *major occupancies* classified as follows, if the *building* exceeds 600 m² or 3 *storeys* in *building height*:
 - i) Group C, *residential occupancies*,
 - ii) Group D, *business and personal services occupancies*,
 - iii) Group E, *mercantile occupancies*, or
 - iv) Group F, Divisions 2 and 3, *medium- and low-hazard industrial occupancies*, or

- d) used for *major occupancies* classified as Group B, Division 4, *residential care occupancies*, if the *building*
 - i) exceeds 600 m² in *building area*,
 - ii) exceeds 3 *storeys* in *building height*, or
 - iii) has more than 10 *residential care clients* residing in the *building*.

1(6) Article 1.3.3.3. is replaced with the following:

1.3.3.3. Application of Parts 9 and 10

1) Subject to Subsections 1.3.5. and 1.3.6. of Division A, Parts 9 and 10 of Division B apply to *buildings* described in Article 1.1.1.1. that

- a) are 3 *storeys* or less in *building height*,
- b) have a *building area* not exceeding 600 m², and
- c) are used for *major occupancies* classified as
 - i) Group C, *residential occupancies* (see Appendix Note A-9.1.1.1.(1) of Division B),
 - ii) Group D, *business and personal services occupancies*,
 - iii) Group E, *mercantile occupancies*,
 - iv) Group F, Divisions 2 and 3, *medium- and low-hazard industrial occupancies*, or
 - v) Group B, Division 4, *residential care occupancies* in which no more than 10 *residential care clients* reside.

1(6.1) The following is added after Article 1.3.3.4.:

1.3.3.5. Application re farm buildings

1) A *farm building* that has a *building area* that exceeds 600 m² and that is not of *low human occupancy* must

- a) be classified — in consideration of its principle *occupancy* — by the *authority having jurisdiction* as being one of the *major occupancy* classifications; and
- b) meet the requirements of this Code for that *major occupancy* classification.

2) A *farm building* of *low human occupancy* that has a *building area* that equals or exceeds 600 m² is subject to the following provisions of Division B only:

- a) Part 1;
- b) Section 3.10.;

- c) Part 4;
- d) Section 6.1. and Articles 6.2.1.1. and 6.2.1.4.

3) Despite Sentence (2), Sections 3.10. and 6.1. and Articles 6.2.1.1. and 6.2.1.4. do not apply to

- a) a *farm building* that
 - i) is not mechanically heated, cooled or ventilated,
 - ii) has at least 20% of the total area of its perimeter walls open to the outdoors, and
 - iii) is used only as a shelter for farm animals or for storage of fibre and forage, or
- b) a *farm building* or part of a *farm building* that is used only for manure storage.

1(7) The following is added after Subsection 1.3.4.:

1.3.5. Limited Application to Existing Buildings

1.3.5.1. Alterations and Repairs

1) This Code applies to the part of an existing *building* that is altered and repaired. If, in the opinion of the *authority having jurisdiction*, the *alteration* will affect the degree of safety of a part of the existing *building* not altered or repaired, those parts of the existing *building* shall be improved as required by the *authority having jurisdiction*.

2) If a *building* is altered or repaired, the level of life safety and *building* performance shall not be decreased.

1.3.5.2. Horizontal Additions

1) Horizontal *additions* may be made to an existing *building* or structure if

- a) the *building* and the *addition* conform to this Code, or
- b) a *firewall* of the required *fire-resistance rating* separates the *building* from the *addition*, and acceptable access for a fire department is provided to the *addition*.

1.3.5.3. Increase in Number of Storeys

1) The number of *storeys* of an existing *building* shall not be increased unless the entire *building* conforms to this Code.

1.3.5.4. Moving a Building

1) This Code applies to the whole or any part of an existing *building* that is moved to a new location.

1.3.5.5. Demolition

1) This Code applies to the work involved in demolishing the whole or any part of a *building* and to the work required to correct a deficiency in any part of the *building* remaining after demolition.

1.3.5.6. Damaged Building

1) This Code and the *Manitoba Fire Code* apply to the work necessary to reconstruct an existing *building* that is damaged by fire or other cause.

1.3.5.7. Unsafe Condition

1) This Code and the *Manitoba Fire Code* apply to the work necessary to correct an *unsafe condition* in or near a *building*.

1.3.5.8. Change in Occupancy

1) This Code applies to a *building* or the parts of a *building* affected by a change to the *major occupancy* of the *building* or part of the *building*.

1.3.6. Exclusions**1.3.6.1. Exclusions from this Code**

- 1) This Code does not apply to
 - a) public works located on a *public way*,
 - b) a public utility tower or pole, or a television, radio or other communication tower or aerial, except for loads resulting from a tower, pole or aerial being located on or attached to a *building*,
 - c) a flood control and hydro-electric dam and structures or mechanical or other equipment and appliances related to the dam not specifically referred to in this Code,
 - d) a *building* that is not greater than 10 m² in *building area* that, in the opinion of the *authority having jurisdiction*, does not create a hazard, or
 - e) a *farm building* that has a *building area* not exceeding 600 m².

1(8) Sentence 1.4.1.2.(1) is amended by adding the following definitions:

Addition means a space that is added to an existing *building* that increases the *building area*.

Architect means a person who is entitled to engage in the practice of architecture under *The Architects Act*.

Assistive listening device means equipment that is used by a person to hear sound output from an *assistive listening system*.

Assistive listening system means a wireless sound transmission system that improves sound reception for persons with hearing disabilities by providing amplification, which can be adjusted by a user, while blocking out unwanted background noise.

Building envelope means the components of a *building* that separate heated space from unheated space, or that are in contact with the exterior air or the ground.

Manitoba Electrical Code means

- a) for municipalities other than the City of Winnipeg, the *Manitoba Electrical Code*, or
- b) for the City of Winnipeg, *The Winnipeg Electrical By-law*.

Equal flow configuration means, in respect of a drain water heat recovery unit, a configuration that pre-heats both the cold and hot water supplied to the shower or showers from which the drain water heat recovery unit receives drain water.

Low human occupancy means, in respect of a *farm building*, an *occupancy* having an *occupant load* of not more than one person per 40 m² during normal use.

Passing lane and *landing* means an additional width to provide an unimpeded path of travel for mobility devices for resting, passing or changes in direction.

Pedestrian means a person who travels on foot or with a required mobility device.

Pedestrian entrance means an entrance used by persons to enter a *building* for the purposes of accessing the facility or services in the *building*. A pedestrian entrance includes a public entrance and an employee entrance, but does not include a service entrance or loading dock.

Pedestrian walkway means a passage or lane designated for pedestrians.

Private pool means an artificially constructed basin, lined with concrete, fibreglass, vinyl or like material, that is capable of containing a water depth greater than 60 cm and that is located on the property of a single-family dwelling.

Professional Engineer has the same meaning as in section 1 of *The Engineering and Geoscientific Professions Act*.

Residential care client means a resident as defined in

- a) the *Residential Care Facilities Licensing Regulation*, Manitoba Regulation 484/88 R, or
- b) the *Child Care Facilities (Other than Foster Homes) Licensing Regulation*, Manitoba Regulation 17/99,

Residential care occupancy (Group B, Division 4) means the *occupancy* or use of a *building* or part thereof

- a) as a residential care facility, other than a host family home, operating under a licence or letter of approval issued under *The Social Services Administration Act*; or
- b) as a child care facility operating under a licence issued under the *Child Care Facilities (Other than Foster Homes) Licensing Regulation*, Manitoba Regulation 17/99;

but does not include an *occupancy* or use that is a *treatment occupancy* or a *detention occupancy*.

Seasonal dwelling means a single-family dwelling that is not a primary place of residence.

Temporary building means a *building* placed at a particular location for the period authorized by the *authority having jurisdiction*. If the *building* is not removed on or before the end of the authorized period, it is considered to be a new *building* for the purposes of this Code.

Turning space means the extra space required to change direction with a mobility device.

Unequal flow configuration means, in respect of a drain water heat recovery unit, a configuration that pre-heats the cold or the hot water supplied to the shower or showers from which the drain water heat recovery unit receives drain water, but not both.

1(8.1) Sentence 1.4.1.2.(1) is further amended

(a) in the definition "Farm building", by adding "but does not include a *building* that falls within the definition of a Group F, Division 1 - *High-hazard industrial occupancy*" **after "produce or feeds"; and**

(b) in the definition "Major occupancy" by adding "B4 – Residential care occupancies" after "B3 – Care occupancies".

1(8.2) Article 1.4.2.1. is amended by adding the following abbreviation:

XTPSextruded polystyrene

1(9) The following is added after Subsection 1.5.2.:

1.5.3. Provincial Codes

1.5.3.1. Fire Code

1) A reference in this Code to the *National Fire Code of Canada* is deemed to be a reference to the *Manitoba Fire Code*.

1.5.3.2. Electrical Code

1) A reference in this Code to the CSA C22.1, "Canadian Electrical Code, Part I" is deemed to be a reference to the *Manitoba Electrical Code*.

1.5.3.3. Building Code

1) A reference in this Code to the *National Building Code of Canada* is deemed to be a reference to the *Manitoba Building Code*.

1.5.3.4. Plumbing Code

1) A reference in this Code to the *National Plumbing Code of Canada* is deemed to be a reference to the *Manitoba Plumbing Code*.

1.5.3.5. Energy Code

1) A reference in this Code to the *National Energy Code of Canada for Buildings* is deemed to be a reference to the *Manitoba Energy Code for Buildings*.

M.R. 48/2013; 52/2015; 222/2015; 5/2017

2(1) Division B is amended by this section.

2(2) Table 1.3.1.2. is amended

(a) by adding the following after the row "CSA B52-05, Mechanical Refrigeration Code":

CSA	CSA B55.1	Test Method for Measuring Efficiency and Pressure Loss of Drain Water Heat Recovery Units	9.36.4.7(3)
CSA	CSA B55.2	Drain Water Heat Recovery Units	9.36.4.7(2)

(b) by adding the following after the row "NFPA 214-2005 Water-Cooling Towers":

NFPA	720-2009	Standard for the Installation of Carbon Monoxide (CO) Detection and Warning Equipment	6.2.4.1.(6)(a) 9.10.19.8.(1)(a)
------	----------	---	------------------------------------

2(2.1) Article 3.1.2.5. is replaced with the following:

3.1.2.5. Convalescent Homes, Children's Custodial Homes and Residential Care Occupancies

1) Convalescent homes and children's custodial homes are permitted to be classified as *residential occupancies* within the application of Part 3, provided that occupants are ambulatory and live as a single housekeeping unit in a *suite* with sleeping accommodation for not more than 10 persons.

2) Except as provided in Sentence (3), *residential care occupancies* shall be treated as if they are classified as, and shall comply with the requirements of, Group B, Division 3 – *care occupancies*.

3) *Residential care occupancies* shall be treated as if they are classified as, and shall comply with the requirements of Group C – *residential occupancies*, if there are not more than 10 *residential care clients* residing in the *building*, and the *building*

a) is *sprinklered*, or

b) if the *building* is not *sprinklered*, the licensing authority as defined in *The Social Services Administration Act*, or the director as defined in *The Child and Family Services Act*, deems *sprinklering* unnecessary after having conducted a risk assessment.

2(3) Sentence 3.2.4.1.(5) is replaced with the following:

5) A fire alarm system is not required in a *building* containing not more than 4 *dwelling units* and no other *occupancy*.

2(4) Sentence 3.2.4.1.(6) is struck out.**2(5) Sentence 3.2.4.11.(2) is amended by striking out "and" at the end of clause (e), adding "and" at the end of clause (f) and adding the following after clause (f):**

g) *suites* and rooms not located within a *suite* in portions of *buildings* classified as Group C *major occupancy*. (See also Article 3.2.4.21. for Smoke Alarms.)

2(6) [Repealed] M.R. 175/2012**2(6.1) Sentence 3.2.4.20.(1) is replaced with the following:**

1) Visual signal devices shall be installed in addition to audible signal devices in all *buildings*.

2(6.2) Article 3.2.5.12. is amended

(a) in Sentence (2), by striking out "or" at the end of Clause (a), adding "or" at the end of clause (b) and adding the following after clause (b):

- c) in a *building* of *care occupancy* that
 - i) is not being newly constructed,
 - ii) has not more than 25 total occupants or *residential care clients* residing in it, and
 - iii) is not more than 3 *storeys* in *building height*.

(b) by replacing Clauses (3)(a) and (b) with the following:

- a) in a *building* of *residential occupancy* throughout that contains not more than 2 *dwelling units* and in which no *residential care clients* reside, or
- b) in a *building* of *care occupancy* or *residential occupancy*, provided
 - i) it contains not more than 2 *suites* of *care occupancy* or *residential occupancy*,
 - ii) it has not more than 4 residents or *residential care clients* throughout, and
 - iii) a 30-minute water supply can be met.

2(7) Clauses 3.3.1.7.(1)(d) and (e) are replaced with the following:

- d) have all exterior *exits* exiting at *grade*, or
- e) have ramps at all *exits* leading to *grade*.

2(8) Sentence 3.3.1.9.(3) is replaced with the following:

3) Except as permitted by Sentence (4), obstructions located within 1 980 mm of the floor shall not project more than 100 mm horizontally into an *exit* passageway, a *public corridor*, a corridor used by the public or a corridor serving classrooms or patients' sleeping rooms.

2(9) Sentence 3.3.1.9.(4) is replaced with the following:

4) The horizontal projection of an obstruction referred to in Sentence (3) is permitted to be more than 100 mm provided the projection is terminated at the finished floor.

2(10) Sentence 3.3.1.9.(7) is replaced with the following:

7) Except for a dead end corridor that is entirely within a *suite* or as permitted by Sentences 3.3.3.3.(1) and 3.3.4.4.(6), a dead end corridor is permitted provided it is not more than 6 m long and has a minimum 1 500 mm clear width the entire length of the corridor.

2(11) Table 3.4.3.2.A. is amended

(a) by replacing the fourth column of the first row with "Stairs, mm⁽³⁾"; and

(b) by adding the following after the last note to the table:

⁽³⁾ These widths shall be measured between the handrails or between the inside face of the *guard*, whichever is less.

2(12) Table 3.4.3.2.B. is amended

(a) by replacing the fourth column of the first row with "Stairs, mm⁽⁴⁾"; and

(b) by adding the following after the last note to the table:

⁽⁴⁾ These widths shall be measured between the handrails or between the inside face of the *guard*, whichever is less.

2(13) Sentence 3.4.3.3.(4) is repealed.

2(14) Article 3.4.6.1. is amended**(a) by replacing clause (1)(b) with the following:**

- b) shall have a colour and texture contrast to demarcate the leading edge of the tread or the nosing, and the leading edge of the *landing*, as well as the beginning and end of a ramp.

(b) by adding the following after Sentence (2):

- 3) The surface of a stair tread and riser shall have a colour and texture that contrasts the tread and riser from the stair nosing.

2(15) Sentence 3.4.6.5.(1) is replaced with the following:

- 1) Stairways and ramps shall have handrails on both sides and the handrail must not reduce the dimensions contained in 3.4.3.2.(8).

2(16) Sentence 3.4.6.5.(8) is replaced with the following:

- 8) Except where interrupted by doorways or newels at changes in direction, both handrails shall be continuous throughout the length of a stairway or ramp, including *landings*. (See Appendix A.)

2(17) Sentence 3.4.6.7.(1) is replaced with the following:

- 1) The maximum slope of a ramp used for *pedestrian* traffic shall be 1 in 12 in all *occupancies*.

2(18) Article 3.4.6.9. is amended**(a) by replacing Sentence (1) with the following:**

- 1) Curved stairs shall not be used as a means of egress.

(b) in the part of Sentence (2) before clause (a), by striking out "used as an *exit*" and substituting "not required as an *exit*".

2(19) Article 3.4.6.11. is replaced with the following:**3.4.6.11. Doors**

- 1) The distance between a stair riser and the leading edge of a door during its swing shall be not less than 600 mm.
- 2) *Exit* doors shall be clearly identifiable. (See Appendix A.)
- 3) At least one door leaf in a double door must be a minimum of 850 mm wide.

2(20) Sentence 3.4.6.16.(4) is amended by replacing clause (g) with the following:

- g) a legible sign is permanently mounted on the *exit* door to indicate that the locking device will release within 15 s of applying pressure to the door-opening hardware,

except that Clauses (e), (f) and (g) do not apply to a Group B – Division 2, Division 3 or Division 4 *occupancy* where patient safety may be compromised by uncontrolled *means of egress*. (See Appendix A.)

2(21) Sentences 3.8.1.2.(1), (2) and (4) are replaced with the following:

1) Except as provided by Sentence (2), all *pedestrian entrances* to a building referred to in Sentence 3.8.1.1(1) shall be *barrier-free* and shall lead from

- a) the outdoors at sidewalk level, or
- b) a ramp that conforms to Article 3.8.3.4 and leads from a sidewalk.

2) If an *alteration* to an existing *building* is undertaken and it is not practical to comply with Sentence (1) in respect of every applicable entrance, then at least one *pedestrian entrance* shall be *barrier free*.

4) Doors at each end of a bank of doors at every entrance shall be designed in accordance with Article 3.8.3.3.

2(22) Article 3.8.1.3. is amended

(a) in Sentence (1), by striking out "920 mm" and substituting "1 100 mm and shall be *barrier free* in accordance with the requirements of Sentences 3.3.1.9.(3) and (4)"; and

(b) by adding the following after clause (2)(e):

- f) have detectable warning surfaces where a change in elevation is greater than 225 mm, that must
 - i) include changes in colour, texture, resiliency and sound from the surrounding surfaces,
 - ii) be the full width of stairs or a ramp, and
 - iii) where the surface is a stair, be a minimum of 900 mm deep, starting one tread depth back from the edge of the stair.

2(23) Article 3.8.2.1. is replaced with the following:**3.8.2.1 Areas Requiring a Barrier-Free Path of Travel**

1) Except as permitted by Sentences (2) and (3), a *barrier free* path of travel from entrances required by Sentence 3.8.1.2.(1) and (2) to be *barrier free* shall be provided throughout the *building* and to all of the *buildings exits*. (See Article 3.3.1.7. for additional requirements regarding *floor areas* above or below the first *storey* to which a *barrier free* path of travel is required.)

- 2) A *barrier free* path of travel is not required to
 - a) *service rooms*,
 - b) elevator machine rooms,
 - c) *service spaces*,
 - d) crawl spaces,
 - e) *attic or roof spaces*,
 - f) *high-hazard industrial occupancies*,
 - g) portions of a *floor area* with fixed seats in an *assembly occupancy* where those portions are not part of the *barrier free* path of travel to spaces designated for mobility device use,
 - h) within floor levels of a *suite of residential occupancy* that are not at the same level as the entry level to the *suite*,
 - i) within a *suite of residential occupancy* that has not been designated by an *authority having jurisdiction* to be accessible for use by persons with physical disabilities, or
 - j) interior paths of travel that are not a *means of egress*.

3) A *barrier free* path of travel through the *exits* is not required from a *floor area* where that *floor area* conforms to 3.3.1.7(1) (a) to (c).

4) In an *assembly occupancy*, the number of accessible spaces within rooms or areas with fixed seats shall conform to Table 3.8.2.1. (See also Article 3.8.3.6. for additional requirements.)

2(24) **Table 3.8.2.1. is replaced with the following:**

Table 3.8.2.1.
Designated Spaces for People Using Mobility Devices
 Forming Part of Sentence 3.8.2.1.(4)

Number of Fixed Seats in Seating Area	Number of Spaces Required for People Using Mobility Devices
Up to 50	2
51 – 100	4
101 – 300	6
301 – 500	8
501 – 1 000	10
1 001 – 1 700	12
each increment of up to 700 seats in excess of 1 700	two additional spaces

2(25) Sentence 3.8.2.2.(3) is replaced with the following:

- 3)** If an exterior passenger loading zone is provided, it shall have
 - a) an access aisle not less than 2 440 mm wide and 7 400 mm long adjacent and parallel to the vehicle pull-up space,
 - b) a curb ramp, where there are curbs between the access aisle and the vehicle pull-up space, and
 - c) a clear height of not less than 3 600 mm at the pull-up space and along the vehicle access and egress routes.

2(26) Article 3.8.2.3. is replaced with the following:**3.8.2.3 Washrooms Required to be Barrier-Free**

- 1)** Except as permitted by Sentence (2), a *barrier free* washroom is required on each level of a multi-level *building* where public washrooms are provided.
- 2)** A washroom need not conform to the requirements of Sentence (1) provided
 - a) it is located within a *suite of residential occupancy*, or
 - b) other *barrier free* washrooms are provided on the same *floor area* within 45 m.
- 3)** If one or more washrooms are required to be provided on a *storey* of an *assembly, care, treatment, mercantile or business and personal services occupancies*, one of them shall have a universal toilet room.
- 4)** A public washroom that is located on a floor in a *residential occupancy* shall have a universal toilet room.
- 5)** A minimum of one universal toilet room conforming to Article 3.8.3.12. shall be provided on each floor of a newly constructed *building* where public washrooms are provided.
- 6)** A universal toilet room
 - a) may be substituted for one non-accessible stall in a gender-based washroom, if alterations are made to an existing *building*, and
 - b) can be provided in lieu of one gender-based washroom in small public *buildings* requiring two washrooms, one per gender.
- 7)** If a single toilet room is required in Article 3.7.2.2., it shall conform to Article 3.8.3.12.

2(27) Articles 3.8.3.1. and 3.8.3.2 are replaced with the following:**3.8.3.1. Accessibility Signs**

1) Signs incorporating the international symbol of accessibility shall be installed to indicate the location of *barrier free* facilities.

2) Room identification signage shall

- a) have at least one sign located with centerline at 1 350 mm from the finished floor and 150 mm from the door jamb on the latch side of the door,
- b) have a clear space free of obstacles or protrusions immediately in front of the sign at least 1 500 mm long by 900 mm wide, and
- c) include appropriate raised text, graphics and braille.

3) All directional signage shall

- a) provide the necessary information at inaccessible entrances, washrooms, and facilities to reach accessible locations,
- b) at a minimum, have one sign be located with centerline at 1 350 mm from the finished floor,
- c) have a clear space free of obstacles or protrusions immediately in front of the sign at least 1 500 mm long by 900 mm wide, and
- d) include appropriate raised text, graphics and braille.

4) Signs incorporating the symbol of accessibility for persons with hearing disabilities shall be installed to indicate the location of facilities for persons with hearing disabilities. (See Appendix A.)

3.8.3.2 Exterior Walks

1) Exterior walks that form part of a *barrier free* path of travel shall

- a) have a slip-resistant, continuous and even surface,
- b) have not less than 1 200 mm in clear width, except in the case where the *pedestrian walkway* is immediately adjacent to and at the same level as moving vehicles, in which case a minimum of 1 500 mm clear width shall be provided,
- c) have no obstacles protruding into an exterior path of travel from the *pedestrian walkway* surface to 2 100 mm above *grade*,
- d) shall have a *turning space* or *passing lane* of 1 500 mm by 1 500 mm every 9 m, and
- e) have the path of travel well defined with a contrasting colour and texture from the surrounding surface.

2(28) Article 3.8.3.3. is amended**(a) by repealing Sentence (6); and****(b) by replacing Sentences (1) to (5), (11) and (12) with the following:**

1) Every public *pedestrian* doorway shall have a clear width of not less than 825 mm when the door is in the 90° open position, measured from the face of the door at the hinge to the face of the door stop at the door jam.

2) The doorway to at least one full bathroom within a *suite* of a *residential occupancy* shall have a clear width of not less than 825 mm when the doors are in the 90° open position, measured from the face of the door at the hinge to the face of the door stop at the door jam. (See Appendix A.)

3) Door operating devices shall be mounted no higher than 1 100 mm from the finished floor and be of a design which is useable by a single fist with limited strength and does not require tight grasping or twisting of the wrist. (See Appendix A.)

4) A threshold for a doorway referred to in Sentences (1) or (2) shall be not more than 13 mm higher than the finished floor surface and shall be bevelled to facilitate the use of mobility devices.

5) The following doors shall be equipped with a power door operator that allows persons to activate the opening of the door from either side:

- a) at least one door in every exterior *pedestrian entrance* to an *assembly, care, mercantile or business or personal services occupancy*,
- b) at least one door in every *pedestrian entrance* to a *residential occupancy*, and
- c) at least one door into a washroom facility with multiple stalls.

5.1) Where multiple sets of doorways are provided at an entrance, at least one of the outermost sets of doors must be equipped with power door operators.

5.2) The following requirements apply in respect of a door that is required to be equipped with a power door operator under Sentences (5) or (5.1):

- a) if the power door operator is activated by a push button, the push button shall
 - i) be located at least 235 mm, but no more than 900 mm, from the finished walking surface, and
 - ii) be installed such that the *pedestrian* using the door will remain outside of the swing of the door,
- b) for a swing-type door at an exterior entrance, the door shall have a *guard* on the hinge side that is colour contrasted and have horizontal *guards* at 150 mm, 600 mm and 1 050 mm from the finished walking surface.

11) A vestibule in a *barrier-free* path of travel shall be arranged to allow the movement of mobility devices between doors and shall provide a distance between two doors in series of not less than 1 500 mm plus the width of any door that swings into the space in the path of travel from one door to another.

12) Vestibules referred to in Sentence (11) that are used to enter a stairwell that is not an area of refuge shall provide a distance between two doors in series of not less than 1 200 mm plus the width of any door that swings into the space in the path of travel from one door to another.

13) At least one door measuring at a minimum of 900 mm in a multiple-leaf door shall have a clear opening of 825 mm.

2(29) Sentence 3.8.3.4.(1) is replaced with the following:

- 1) A ramp shall
 - a) have a clear width not less than 900 mm between handrails or between the inside of the *guard* (See A-3.4.3.4 in Appendix A),
 - b) have a slope not more than 1 in 12 (see Appendix A),
 - c) have a level area not less than 1 500 mm by 1 500 mm at the top and bottom at an intermediate level of a ramp leading to a door, so that on the latch side, the level area extends no less than
 - i) 600 mm beyond the edge of the door opening where the door opens towards the ramp, or
 - ii) 300 mm beyond the edge of the door opening where the door opens away from the ramp,
 - d) have the following level areas:
 - i) in the case of a ramp that is more than 9 m in length, a level *landing* not less than 1 500 mm by 1 500 mm at intervals not more than 9 m along its length,
 - ii) in the case of a ramp with a change in direction greater than 90°, a level *landing* at the directional change that has a width of not less than 1 500 mm and a length of not less than 1 800 mm,
 - iii) in the case of a ramp with a change in direction less than or equal to 90°, a level *landing* at the directional change that is not less than 1 500 mm by 1 500 mm,
 - e) except as permitted in sentence (2), be equipped with handrails and *guards* conforming to Articles 3.4.6.4. and 3.4.6.5., and
 - f) shall be designed according to 3.8.1.3.(2)(f) – Detectable Warning Surfaces.

2(30) Article 3.8.3.7. is replaced with the following:

3.8.3.7. Assistive Listening Devices

1) In a *building of assembly occupancy*, all classrooms, auditoriums, meeting rooms and *theatres* with an area of more than 100 m² shall be equipped with an *assistive listening system* encompassing the entire seating area.

2) Except as provided by Sentence (3), *Assistive Listening Devices* (ALDs) must be provided for *assistive listening systems* in each assembly area in accordance with Table 3.8.3.7.

3) Where a *building* contains more than one assembly area and two or more of the assembly areas in which *assistive listening systems* are required to be provided are under the control of one person, the total number of required ALDs shall be calculated with reference to the total number of seats in those assembly areas, provided all the receivers are usable in all the areas.

Table 3.8.3.7.
Minimum Number of ALDs
Forming part of Sentence 3.8.3.7.(2)

Capacity of Seating in Assembly Area	Minimum Number of Required ALDs	Minimum Number of Required ALDs Required to be Hearing Aid and Cochlear Implant Compatible
50 or less	2	2
51 to 200	2, plus 1 additional for each 25 seats, or portion of 25 seats, over 50 seats	2
201 to 500	2, plus 1 additional for each 25 seats, or portion of 25 seats, over 50 seats	1 of every 4, or any portion of 4
501 to 1000	2, plus 1 additional for each 33 seats, or portion of 33 seats, over 500 seats	1 of every 4, or any portion of 4
1001 to 2000	35, plus 1 additional for each 50 seats, or portion of 50 seats, over 1 000 seats	1 of every 4, or any portion of 4
2001 and over	55, plus 1 additional for each 100 seats, or portion of 100 seats, over 2 000 seats	1 of every 4, or any portion of 4

2(31) Sentence 3.8.3.8.(1) is amended

(a) in clause (a), by striking out "1 500 mm deep" and substituting "1 600 mm deep"; and

(b) in subclause (b)(ii), by striking out "800 mm wide" and substituting "850 mm wide".

2(32) Sentence 3.8.3.9.(1) is replaced with the following:

- 1) Where a *barrier-free* washroom is required by Article 3.8.2.3, at least one water closet in the washroom shall be equipped with
 - a) a seat that is not less than 400 mm and not more than 460 mm above the floor,
 - b) hand-operated flushing controls that are easily operable or automatically operable, and
 - c) a seat lid or other back support.

2(33) Article 3.8.3.10. is replaced with the following:**3.8.3.10 Urinals**

- 1) If urinals are provided in a *barrier free* washroom, at least one urinal shall be wall mounted, with the rim located between 488 mm and 512 mm above the floor.
- 2) A urinal described in Sentence (1) shall have
 - a) a clear width of approach of 850 mm, centred on the urinal,
 - b) no step in front, and
 - c) grab bars that are
 - i) vertically mounted to the back wall,
 - ii) located on both sides of the urinal and not more than 380 mm from the centerline of the urinal,
 - iii) not less than 600 mm long, with the vertical centerline 950 mm above the floor, and
 - iv) colour contrasted with the colour of the back wall.

2(34) Article 3.8.3.11. is amended by replacing clauses (1)(e) and (f) and Sentence (2) with the following:

- e) has a soap dispenser that is operable with one hand that is
 - i) surface mounted, or
 - ii) wall mounted, in which case the soap dispenser shall be located close to the lavatory and have the operable part be not more than 150 mm above the counter or lavatory rim, and
- f) has a towel dispenser or other hand-drying equipment that is located not more than 1 200 mm above the floor and close to the lavatory, in an area that has a clear floor space of no less than 900 mm wide and 1 200 mm deep.

2) A *barrier-free* washroom must be equipped with at least one mirror, which shall be mounted with its bottom edge not more than 1 000 mm above the floor.

2(35) Article 3.8.3.12. is amended

(a) by repealing clause (1)(f);

(b) in clause (1)(i), by striking out "1 500 mm" and substituting "1 700 mm"; and

(c) by adding the following after Sentence (1):

2) If a *storey* of a *building* is not serviced by an elevator or inclined moving walk, it shall be equipped with a universal toilet room that conforms with Article 3.8.3.12. or a washroom that conforms with Article 3.8.2.3. (washrooms required to be *barrier free*).

2(36) Sentence 3.8.3.13.(1) is amended

(a) in clause (b), by adding "or use" after "access"; and

(b) by adding the following after clause (f):

f.1) have a vertical grab bar on each of the side walls of the shower that

i) conforms to Subclauses 3.8.3.8.(1)(d)(iv), (d)(v) and (d)(vi) (see Appendix A),

ii) are not less than 900 mm long, and

iii) are mounted with the bottom of the grab bar no less than 700 mm to 800 mm from the floor;

(c) by replacing clause (i) with the following:

i) have a shelf that is reachable from the seated or standing position, located between 800 mm and 1 200 mm from the floor, provided that it does not restrict access to and use of the shower.

2(37) Articles 3.8.3.14. and 3.8.3.15. are replaced with the following:

3.8.3.14. Counters

1) Every counter at which the public is served, shall have at least one *barrier free* section not less than 800 mm long centred over a knee space conforming to Sentence (3). (See Appendix A.) (See also A-3.8.2.1. in Appendix A.)

2) A *barrier free* counter surface shall be not more than 800 mm above the floor.

3) Except as permitted in Sentence (4), the knee space beneath a *barrier free* counter intended to be used as a work surface shall be not less than

a) 800 mm wide,

b) 700 mm high, and

c) 500 mm deep.

4) A counter that is used in a cafeteria, or one that performs a similar function whereat movement takes place parallel to the counter, need not provide a knee space underneath it.

3.8.3.15. Shelves or Counters for Telephones

1) Where built-in shelves or counters are provided for public telephones, they shall be level and shall

a) be not less than 350 mm deep, and

b) have, for each telephone provided, a clear space not less than 500 mm wide having no obstruction within 250 mm above the surface.

2) The top surface of a section of the shelf or counter described in Sentence (1) serving at least one telephone shall be not more than 800 mm above the floor.

3) If a wall-hung telephone is provided above the shelf or counter section described in Sentence (2), it shall be located so that the receiver and coin slot are not more than 1 200 mm above the floor.

2(37.1) The following is added after Section 3.9.:

Section 3.10. Fire Safety Requirements for Low Human Occupancy Farm Buildings

3.10.1. Scope

3.10.1.1. Scope

1) This section applies to a *farm building*, or a part of a *farm building*, of *low human occupancy*.

3.10.1.2. Floor Areas

1) When a *farm building*, other than a greenhouse, of the number of *storeys* in the first column of Table 3.10.1.2. has a *floor area* on any one *storey* that exceeds the *floor area* listed opposite in the second column, the *farm building* must be separated into *fire compartments* by vertical *fire separations* having a *fire-resistance rating* of at least 2 h, so that each separated portion has a *floor area* on any one *storey* that is less than the maximum *floor area* listed in the second column of the Table.

Table 3.10.1.2.
Maximum Floor Areas for Farm Buildings of Low Human Occupancy
Forming Part of Article 3.10.1.2.

Number of Storeys	Floor Area
1	4800 m ²
2	2400 m ²
3	1600 m ²

2) A *farm building* or part of a *farm building* must be separated from an *occupancy* conforming to Part 3 or Part 9 — except for another *farm building* that is subject to Section 3.10. — by a *fire separation* having a *fire-resistance rating* of at least 1 h.

3) In the case of an office in a *farm building*, if the aggregate area of an office is not more than 10% of the *floor area* of the *storey* in which it is located, the office is not considered a *major occupancy*.

4) In a *farm building*, a *mezzanine* greater than 10% of the *floor area* in which it is located is considered a separate *storey*.

3.10.2. Spatial Separations

3.10.2.1. General

1) Except for greenhouses, where an *exposing building face* of a *farm building* is located less than 30 m from a property line, the centreline of a public thoroughfare, or a *building* other than a *farm building of low human occupancy*, the appropriate requirements of Subsection 9.10.14. for *medium hazard industrial occupancies* apply to the *exposing building face*.

3.10.3. Fire Blocks in Concealed Spaces

3.10.3.1. Location

1) *Fire stops* must be provided at floor, ceiling and roof levels to cut off all concealed draft openings occurring between *storeys* and between the top *storey* and roof space, including spaces filled with batt, loose fill or foamed plastic insulation.

3.10.3.2. Concealed Spaces in Walls or Partitions

1) The maximum dimension of any concealed space in a wall or *partition of combustible construction* must not exceed 3 m vertically and 6 m horizontally.

3.10.3.3. Fire Blocks in Horizontal Concealed Spaces

1) Horizontal concealed spaces within an attic or roof assembly in a *farm building* must be separated by construction conforming to Article 3.10.3.4. into compartments not more than

- a) 600 m² in area with no dimension more than 60 m, if the exposed construction materials within the space have a *flame-spread rating* not more than 25,
- b) 300 m² in area with no dimension more than 20 m, if the exposed construction materials within the space have a *flame-spread rating* more than 25 and the *building* is 20 m or less in width,
- c) 300 m² in area with the dimension of the compartment in the longitudinal direction no more than 15 m, if the exposed construction materials within the space have a *flame-spread rating* more than 25, and the *building* is 20 m or more, but less than 30 m in width, or
- d) 10 m in the longitudinal direction of any *building* greater than 30 m in width, if the exposed construction materials within the space have a *flame-spread rating* more than 25.

3.10.3.4. Fire Block Materials

1) Materials used to separate concealed spaces into compartments must not be less than

- a) solid lumber at least 38 mm thick,
- b) two layers of lumber, each at least 19 mm thick with joints staggered, where the width or height of the concealed space requires more than one piece of lumber to block off the space, or
- c) phenolic bonded plywood, waferboard or strandboard at least 11 mm thick with joints supported.

2) Openings through the *fire block* materials referred to in Sentence (1) must be protected to maintain the integrity of the construction.

3) Where the *fire block* materials referred to in Sentence (1) are penetrated by construction elements or by service equipment, a *fire stop* must be used to seal the penetration.

3.10.4. Fuel Storage Tanks**3.10.4.1. Fuel Storage**

1) Fuels in a *farm building* must be stored in conformance with the *Manitoba Fire Code*, Manitoba Regulation 155/2011.

3.10.5. Fire Separations

3.10.5.1. Fire Resistance Ratings

1) Except as provided in Sentences (3) and (4), a fuel-fired *appliance* in a *farm building* must be

- a) located in a *service room* or *service space* designed for that purpose, and
- b) separated from the remainder of the *farm building* by a *fire separation* having a *fire-resistance rating* of not less than 1 h.

2) A room used in a *farm building* for crop drying or in which farm machinery is repaired must be separated from other *occupancies* by a *fire separation* having a *fire-resistance rating* of not less than 1 h.

3) Fuel-fired space heating *appliances*, space-cooling *appliances* and *service water heaters* in a *farm building* need not be separated from the remainder of the *building* as required in Clause (1)(b), if the equipment is designed for such use and serves no more than one room or *suite*.

4) A *service room* that contains an incinerator must be separated from the remainder of the *farm building* by a *fire separation* having a *fire-resistance rating* of not less than 1 h.

3.10.6. Exposed Foamed Plastic Insulation

3.10.6.1. Combustible Insulation and its Protection

1) Exposed foamed plastic material in *farm buildings* must be protected on the interior surfaces in conformance with Article 9.10.17.10.

2) This Article does not apply to unoccupied high humidity horticultural facilities where agricultural products are stored.

3.10.7. Egress and Exits

3.10.7.1. Number of Exits

1) Each *storey* of a *farm building* must be served by at least 2 *exits* consisting of exterior doorways and the *exits* must be spaced remotely from each other at opposite ends of the *building*.

3.10.7.2. Type of Exits

- 1) *Exits* in *farm buildings* must consist of
 - a) an exterior doorway,
 - b) subject to Article 3.10.7.3, an exterior *exit* passageway,
 - c) an exterior ramp,

- d) an exterior stairway,
- e) a fire escape conforming to Subsection 3.4.7.,
- f) subject to Article 3.10.7.4., a *horizontal exit*, or
- g) an openable window or panel providing an opening measuring not less than 900 mm by 900 mm, with the bottom of the opening no more than 1.5 m. above the adjacent floor level.

3.10.7.3. Exterior Exit Passageways

1) Access to an exterior *exit* passageway from a *farm building* must be through *exit* doors at the floor level.

3.10.7.4. Restricted Use of Horizontal Exits

1) *Horizontal exits* must not comprise more than half the required number of *exits* from a *farm building*.

3.10.7.5. Location

1) *Exits* described in Article 3.10.7.2. must be located and arranged so that they are clearly visible or their locations must be clearly indicated.

2) *Exits* described in Article 3.10.7.2. must be accessible at all times.

3.10.7.6. Travel Distance to an Exit

1) The travel distance to an *exit* in a *farm building* must not exceed 45 m.

2) Sentence (1) does not apply if *exits* are placed along the perimeter which are not more than 60 m apart, measured along the perimeter.

3.10.7.7. Direction of Door Swing

1) An *exit* door in a *farm building* that swings inward on its axis must have a sign affixed to it that is no higher than 1.5 m from the floor level and that indicates the direction of door swing.

3.10.7.8. Stairs and Ladders for Exits above Ground Level or Floor Level

1) An exterior doorway that serves as an *exit* in a *farm building* must be served by

- a) an inside stair if the doorway is more than 600 mm above the adjacent floor level; and
- b) an outside stair if the doorway is more than 600 mm above the adjacent ground level.

2) Despite Sentence (1), an exterior doorway that serves as one of the *exits* required under Sentence 3.10.7.1.(1) must be served by

- a) an inside stair if the doorway is more than 300 mm above the adjacent floor level; and
- b) an outside stair if the doorway is more than 300 mm above the adjacent ground level.

3) An *exit* described in Clause 3.10.7.2.(1)(g) must be served by a stair if the bottom of the wall opening is more than 600 mm above the adjacent ground level.

4) Despite Sentence (3), an *exit* described in Clause 3.10.7.2.(1)(g) may be served by a permanently installed outside ladder conforming to Subsection 3.10.8. if the bottom of the wall opening is more than 2.5 m above ground level.

3.10.8. Ladders

3.10.8.1. Design Load

1) In a *farm building*, permanently installed ladders and their fastenings to the *building* must be designed for a concentrated load of 1.0 kN, applied so as to produce the most critical stress in the member concerned.

3.10.8.2. Termination above Ground Level

1) Permanently installed ladders serving as *exits* required in Sentence 3.10.7.2.(1) must terminate not more than 1.5 m and not less than 1.0 m above ground level.

3.10.8.3. Clear Space behind Rungs, Steps or Cleats

1) A clear space of not less than 175 mm must be provided behind the rungs, steps or cleats of any permanently installed ladder in a *farm building*.

3.10.8.4. Spacing of Rungs, Steps or Cleats

1) The spacing of rungs, steps or cleats of a ladder in a *farm building* must be uniform and must not exceed 300 mm.

3.10.8.5. Distance between Side Rails

1) The distance between the side rails of a ladder in a *farm building* must be not less than 250 mm.

3.10.8.6. Safety Cages

1) In a *farm building*, safety cages must be provided around permanently installed ladders of more than 6 m in height, starting not more than 3 m from the bottom of the ladder.

3.10.9 Building Fire Safety**3.10.9.1. Emergency Lighting**

1) Except as provided in Sentence (3), emergency lighting must be provided in *farm buildings* to an average level of illumination of not less than 10 lx at floor or tread level in

- a) *exits*,
- b) principal routes providing access to *exit* in open floor areas, and
- c) *service rooms*.

2) The minimum value of the illumination required by Sentence (1) must be not less than 1 lx.

3) A *farm building* that is used for poultry or egg production does not require emergency lighting in areas intended for poultry or egg production.

3.10.9.2. Backup Power for Emergency Lighting

1) A *farm building* must have an independent power supply — such as batteries or a generator — which is

- a) capable of maintaining the emergency lighting required by Article 3.10.9.1. for a minimum period of 30 min if the regular power supply to the *farm building* is interrupted, and
- b) designed and installed so that it will assume the electrical load for the emergency lighting automatically upon failure of the regular power.

2) If self-contained emergency lighting units are used, they must conform to CSA C22.2 No. 141, "Emergency Lighting Equipment."

3.10.10. Provisions for Firefighting**3.10.10.1. Access Route**

1) A *farm building* must be provided with an all weather access road leading to the *building* to ensure access for firefighting.

3.10.10.2. Portable Fire Extinguishers

1) Portable fire extinguishers must be provided and installed in accordance with the *Manitoba Fire Code*, Manitoba Regulation 155/2011.

2(38) Clause 4.1.5.14.(1)(a) is replaced with the following:

- a) 3.0 kN/m for *means of egress* serving grandstands, stadiums, bleachers, arenas and open viewing areas,

2(39) Sentence 4.1.8.4.(7) is replaced with the following:

7) For the purposes of Sentence 4.1.8.1.(1), the value of $S_a(0.2)$ in Manitoba is deemed to be zero.

2(40) Sentence 4.2.2.3.(1) is amended by striking out "suitably qualified person" and substituting "qualified person responsible to the *designer*".**2(41) Sentence 4.2.5.4.(1) is amended by adding "by a *professional engineer*" after "prepared".****2(42) Sentence 5.1.4.1.(5) is replaced with the following:**

5) Materials, components and assemblies separating dissimilar environments and assemblies exposed to the exterior, including their connections, that are subject to structural loads, shall

- a) transfer such loads to the *building* structure without adverse effects on the performance of other materials, components or assemblies,
- b) not deflect to a degree that adversely affects the performance of other materials, components or assemblies, and
- c) be designed to accommodate the maximum relative structural movement that may be reasonably expected and construction tolerances that may be reasonably expected, and be constructed to that design.

2(43) Sentence 5.2.2.1.(2) is replaced with the following:

2) The structural loads referred to in Sentence (1) and their related effects shall include

- a) *dead loads* transferred from structural elements,
- b) wind, snow, rain, hydrostatic and earth pressures,
- c) *live loads* due to use and *occupancy*, and
- d) loads due to thermal or moisture-related expansion and contraction, deflection, deformation, creep, shrinkage, settlement and differential movement.

2(44) Sentence 6.2.4.1.(2) is amended by adding the following after clause (d):

- e) be interconnected to the *smoke alarms*, if a *smoke alarm* is required under 3.2.4.21.

2(45) The following is added as Article 6.2.4.2.**6.2.4.2. Carbon Monoxide Alarms — Other Occupancies**

- 1) A *building* subject to this Part, but that is not subject to Article 6.2.4.1., must have installed in it a carbon monoxide (CO) alarm that is
 - a) installed in conformance with NFPA-720 Standard for the Installation of Carbon Monoxide (CO) Detection and Warning Equipment, and
 - b) interconnected to the fire alarm system where a fire alarm is required under Article 3.2.4.1.

2(46) Article 9.3.1.3. is replaced with the following:**9.3.1.3. Concrete in Contact with Sulphate Soil**

- 1) Except as permitted in Sentence (2), concrete in contact with sulphate *soil* deleterious to normal portland cement shall conform to the requirements in Section 16 of CAN3-A23.1, "Concrete Materials and Methods of Concrete Construction".
- 2) Except for *deep foundations*, sulphate-resisting concrete need not be used in footings, *grade beams*, *foundation walls* or *basement walls* referred to in Article 9.15.2.5. unless expressly specified by a *professional engineer* responsible for the *foundation* design.

2(47) [Repealed] M.R. 52/2015**2(47.1) Article 9.10.2.2. is replaced with the following:****9.10.2.2. Convalescent Homes, Children's Custodial Homes and Residential Care Occupancies**

- 1) Children's custodial homes and convalescent homes for ambulatory occupants living as a single housekeeping unit in a *dwelling unit* with sleeping accommodation for not more than 10 persons are permitted to be classified as Group C – *residential occupancies*.
- 2) Except as otherwise provided in Sentences (3) to (12), *buildings of residential care occupancy* shall be treated as if they were classified as, and shall comply with the requirements of, Group C *residential occupancies*.
- 3) Emergency lighting conforming with Article 9.9.12.3. shall be provided in *buildings of residential care occupancy*.
- 4) Portable extinguishers shall be installed in *buildings of residential care occupancy* in conformance with the *Manitoba Fire Code*, Manitoba Regulation 155/2011.
- 5) In *buildings of residential care occupancy* in which more than 4 *residential care clients* reside, every *exit* door shall have an *exit* sign placed over it or adjacent to it that conforms to Sentences 9.9.11.3.(2) to (5).

6) In a *building of residential care occupancy*,

- a) the *first storey* shall be served by at least 2 remotely placed *means of egress*, and
- b) each of the other *floor areas* in the building, including the *basement*, shall be served by at least 2 remotely placed *means of egress*.

7) Despite Clause (6)(b), a particular *floor area* of a *building of residential care occupancy* may be served by a single *means of egress* if the *floor area* meets the requirements described in Table 9.10.2.2.

8) A *building of residential care occupancy* shall be *sprinklered*, except where

- a) the *building* is not being newly constructed,
- b) the *building* has not more than 4 *residential care clients* residing in it, and
- c) the licensing authority as defined in *The Social Services Administration Act* or the director as defined in *The Child and Family Services Act*, deems *sprinklering* unnecessary after having conducted a risk assessment.

9) Sentence 9.10.18.2.(1) does not apply to a *building of residential care occupancy*.

10) If, in a *building of residential care occupancy*, an automatic sprinkler system is installed but a fire alarm system is not, the automatic sprinkler system shall be equipped with a monitored waterflow alarm.

11) If a *building of residential care occupancy* is being newly constructed, each *service room* shall be separated from the remainder of the building by a *fire separation* having a *fire-resistance rating* of not less than 1 h.

12) Sentence 3.4.6.16.(4) applies to a *building of residential care occupancy*.

Table 9.10.2.2.
Exceptions to Requirements for a Second Means of Egress from a Floor Area
 Forming Part of Sentence 9.10.2.2.(7).

<i>Floor area</i>	<i>Building Description</i>	Condition To Be Met In Floor Area For <i>Second Means Of Egress To Not Be Required</i>
<i>Any floor area above first storey or any basement floor area</i>	Any	The <i>floor area</i> is used only for <i>building</i> services, laundry or storage.
<i>Floor area above the first storey</i>	<i>Building newly constructed and is sprinklered</i>	Each bedroom in the <i>floor area</i> <ol style="list-style-type: none"> a) is served by a balcony that is accessible by a full-length door; or b) has at least one window that <ol style="list-style-type: none"> i) is permanently identified as an emergency exit, ii) is openable from the inside without the use of keys, tools or special knowledge and without the removal of sashes or hardware, iii) provides an unobstructed opening of not less than 0.53 m² in area with no dimension less than 508 mm, iv) maintains the required opening during an emergency without the need for additional support, and v) if the sill height is greater than 900 mm above the floor, is served by an interior stair and landing, the top of which is less than 900 mm below the window sill.
	<i>Building is not being newly constructed and</i> <ol style="list-style-type: none"> a) <i>is sprinklered, or</i> b) <i>has not more than 4 residential care clients residing in it.</i> 	Each bedroom in the <i>floor area</i> <ol style="list-style-type: none"> a) is served by a balcony that is accessible by a full-length door; or b) has at least one window that <ol style="list-style-type: none"> i) is permanently identified as an emergency exit, ii) is openable from the inside without the use of keys, tools or special knowledge and without the removal of sashes or hardware, iii) provides an unobstructed opening of not less than 0.35 m² in area with no dimension less than 380 mm, iv) maintains the required opening during an emergency without the need for additional support, and v) if the sill height is greater than 900 mm above the floor, is served by an interior stair and landing, the top of which is less than 900 mm below the window sill.

<i>Basement floor area</i>	<i>Building is not being newly constructed</i>	<p>Both of the following conditions are met:</p> <p>a) the <i>basement</i> is served by a window that meets the following requirements:</p> <ul style="list-style-type: none"> i) the window is readily accessible and clearly visible, ii) no portion of the window is below grade level, except that the sill may be up to 150 mm below grade if there is a window well that provides a clearance of not less than 550 mm in front of the window and the operation of the sash does not reduce this clearance in a manner that would restrict escape in an emergency, iii) the window <ul style="list-style-type: none"> A) can be opened, B) is hinged to swing on its vertical axis, and C) provides an unobstructed opening of not less than 0.385 m², with no dimension of less than 500 mm, iv) if the sill height is greater than 900 mm above the floor, the window is served by an interior stair and landing, the top of which is less than 900 mm below the window sill; <p>b) the occupants of the <i>building</i> are capable of safely exiting it without assistance in the event of a fire or other life-threatening situation.</p>
----------------------------	--	--

2(48) Sentence 9.10.9.16.(3) is replaced with the following:

3) A *storage garage* that serves only the *dwelling unit* to which it is attached or in which it is built, shall be considered as part of that *dwelling unit* and

- a) shall be separated from other *occupancies* by a vertical assembly with a *fire-resistance rating* of not less than 45 min, and
- b) where there is an *occupancy* above the *storage garage*, that *occupancy* shall be separated from the *storage garage* by an assembly with a *fire-resistance rating* of not less than 1 h.

2(49) Sentence 9.10.15.4.(3) is replaced with the following:

3) Where the *limiting distance* is 1.2 m or less, individual glazed openings or a group of glazed openings in an *exposing building face* shall not exceed 60% of the maximum allowable aggregate area of the glazed openings determined by Sentence (1), provided that such a *building* shall have non-combustible cladding on the exterior of the exposed *building face*, with the exception of the first metre at the front of the *building*.

3.1) Sentence 3 does not apply to a *building* that is *sprinklered* or in respect of openable windows having an unobstructed opening equal to 0.35 m² that comply with Sentences 9.9.10.1.(1) and (2).

2(49.1) Sentence 9.10.15.5.(6) is amended by striking out "to (10)" and substituting "to (10.1)".

2(49.2) The following is added after Sentence 9.10.15.5.(9):

9.1) Sentences (8) and (9) do not apply where the *exposing building face*, except for the portion of the *exposing building face* that is within 1 m of the front of the *building*, is completely clad with non-combustible cladding.

2(49.3) The following is added after Sentence 9.10.15.5.(10):

10.1) Sentence (10) does not apply where the *exposing building face* below the roof soffits, except for the portion of the *exposing building face* that is within 1 m of the front of the *building*, is completely clad with non-combustible cladding.

2(50) Sentence 9.10.18.2.(5) is replaced with the following:

5) A fire alarm is not required in a *building* containing not more than 4 *dwelling units* and no other *occupancy*.

2(51) Subsection 9.10.19. is amended

(a) in the section heading, by adding "and Carbon Monoxide Detectors" at the end; and

(b) by adding the following after Article 9.10.19.7.:

9.10.19.8. Required Carbon Monoxide Detectors

1) A *building* subject to this Part, but that is not subject Article 9.32.3.9., must have installed in it a Carbon monoxide alarm that is

- a) installed in conformance with NFPA-720 Standard for the Installation of Carbon Monoxide (CO) Detection and Warning Equipment, and
- b) interconnected to the fire alarm system where a fire alarm is required under Article 9.10.18.2.

2(52) The following Subsection is added after Subsection 9.10.19.:

9.10.19.A. Heat Sensors in Storage Garages

9.10.19.A.1. Heat Sensors required in Storage Garages

1) A fixed temperature heat sensor shall be installed in each *storage garage* that is within, part of or attached to, a *dwelling unit*.

2) A fixed temperature heat sensor required under Sentence (1) shall be

- a) installed on the ceiling of the *storage garage* or, if the *storage garage* has no ceiling, on the bottom of a ceiling joist within the *storage garage*,

- b) installed by permanent connections to an electrical circuit and have no disconnect switch between the overcurrent device and sensor, and
- c) wired so that the activation of the sensor will cause all *smoke alarms* required to be within the *dwelling unit* under Articles 9.10.19.1. and 9.10.19.2. to sound.

2(53) Clause 9.12.2.2.(7)(c) is replaced with the following:

- c) where the distance from finished ground level to the underside of the joist is not more than 1 300 mm and the supports are provided with lateral resistance,

2(54) The following is added after Subsection 9.14.6.:

9.14.7. Drainage of House Foundation in Fine-grain Soil

9.14.7.1. Exterior of Foundation Walls

1) Where a drainage connection is to the inside of the *building*, it shall be made by placing a non-perforated pipe through the footing at the exterior of the wall and shall be installed in one continuous length to the sump pit.

9.14.7.2. Drainage

1) Perimeter drain pipe or tile shall drain to a sewer, an approved drainage ditch or a dry well through connections around the *foundation* that are spaced no more than 15 m apart.

9.14.7.3. Connections

1) Connections required in Article 9.14.7.2. leading to a sewer, drainage ditch or dry well shall

- a) be made of a straight, non-porous drain pipe in a continuous length from the exterior of the footing leading to a catch basin or sump, and
- b) have a minimum fall of 1 in 50.

9.14.7.4. Perforated Pipe

- 1) Perforated pipe shall be laid with the perforations down.
- 2) Perforated pipe may be connected with couplings.

2(55) Sentence 9.15.1.1.(1) is replaced with the following:

1) This section applies to *foundations* designed and constructed for a single-family dwelling, a two-family dwelling or row housing. (See Section 9.35. for small garages and carports, and Part 4 for other *buildings*.)

2(56) The following is added after Article 9.15.2.4.:**9.15.2.5. Design Requirements**

1) Footings, *foundations*, *foundation walls* or *basement walls* shall conform to Table 9.15.2.5. and this section.

Table 9.15.2.5.
Footings, Foundations, Foundation Walls and Basement Walls
Forming Part of Sentence 9.15.2.5.(1)

Type of Soil	Type of Construction Materials	Design Requirements	
		Footings and Foundations	Foundation Walls and Basement Walls
Coarse Grain ⁽¹⁾ (e.g. sand, gravel, cobbles, boulders)	Concrete	Table 9.15.3.4	Table 9.15.4.2.A. Table 9.15.4.2.B.
	Masonry	Not Permitted	Table 9.15.4.2.A. Table 9.15.4.2.B.
	Precast Concrete, Steel	Section 4.2.	Section 4.3.
	Wood	Article 9.15.2.4.	Article 9.15.2.4.
Fine Grain (e.g. clays, silt, shale)	Concrete (cast in place)	Fig. 9.15.2.5.A. Laterally supported walls – One Storey Fig. 9.15.2.5.B. Laterally supported walls – Two Storey Fig. 9.15.2.5.C. Laterally unsupported walls Fig. 9.15.2.5.D. Piers @ 2.5 metres O.C. Maximum Fig. 9.15.2.5.E. Piers @ 3 metres O.C. Maximum Fig. 9.15.2.5.F. Attached garage <i>foundation</i>	
	Masonry	Not permitted	Appropriate Section of Part 4 of this Code ⁽²⁾
	All other materials	Section 4.2. of Part 4 of this Code	
Organic (muskeg, top soil) filled ground	All materials	Designed by a <i>professional engineer</i>	
Permafrost (known or suspected areas)	All materials		

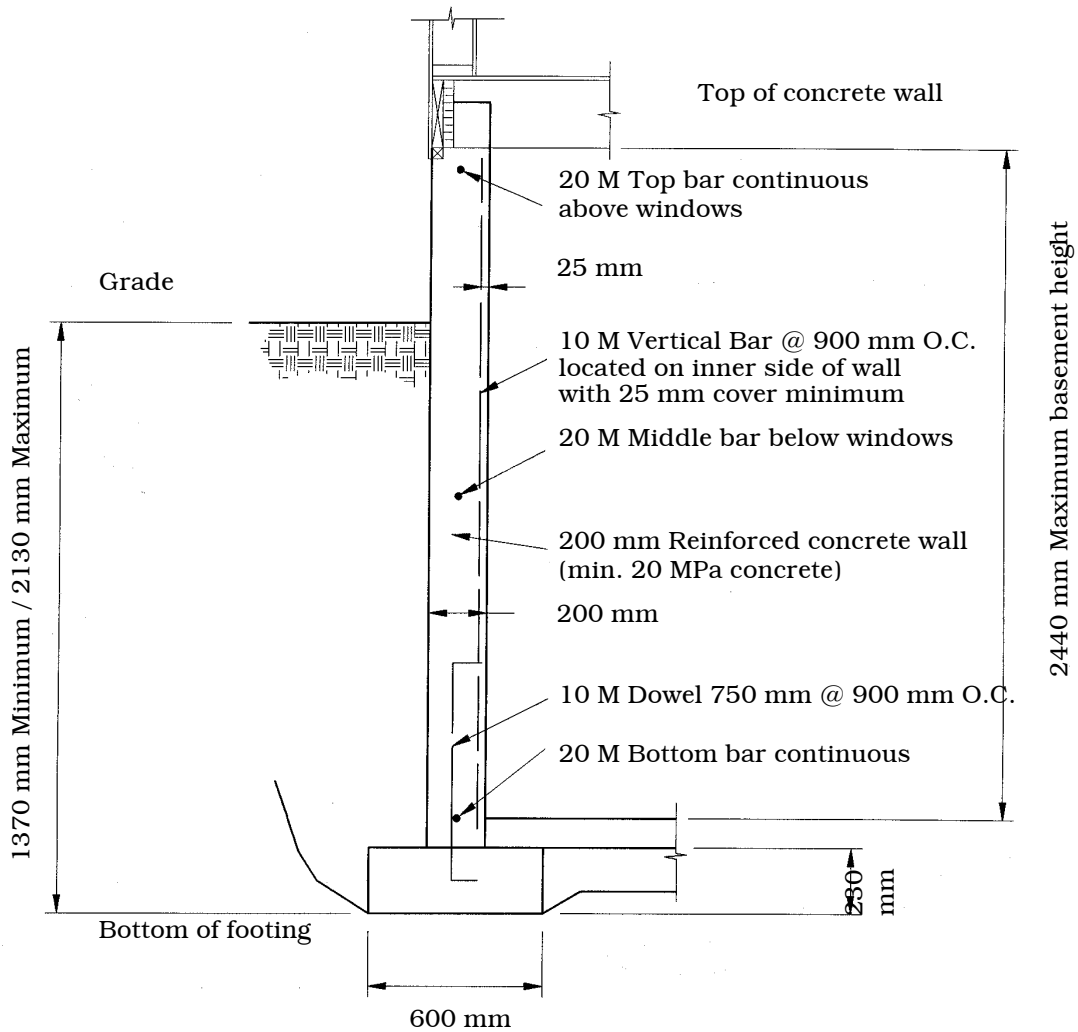
Notes to Table 9.15.2.5.

¹ Soils with an allowable bearing of 75 kPa or greater.

² Installation of *foundation walls*, other than case-in-place concrete in regions with fine grain soils, subject to approval of the *authority having jurisdiction*.

Figure 9.15.2.5.A.
Forming part of subsection 9.15.2.5.(1)

**MINIMUM REINFORCEMENT FOR
LATERALLY SUPPORTED FOUNDATION WALLS
Up to 12 metres in length and in fine-grain soils**



ONE STOREY

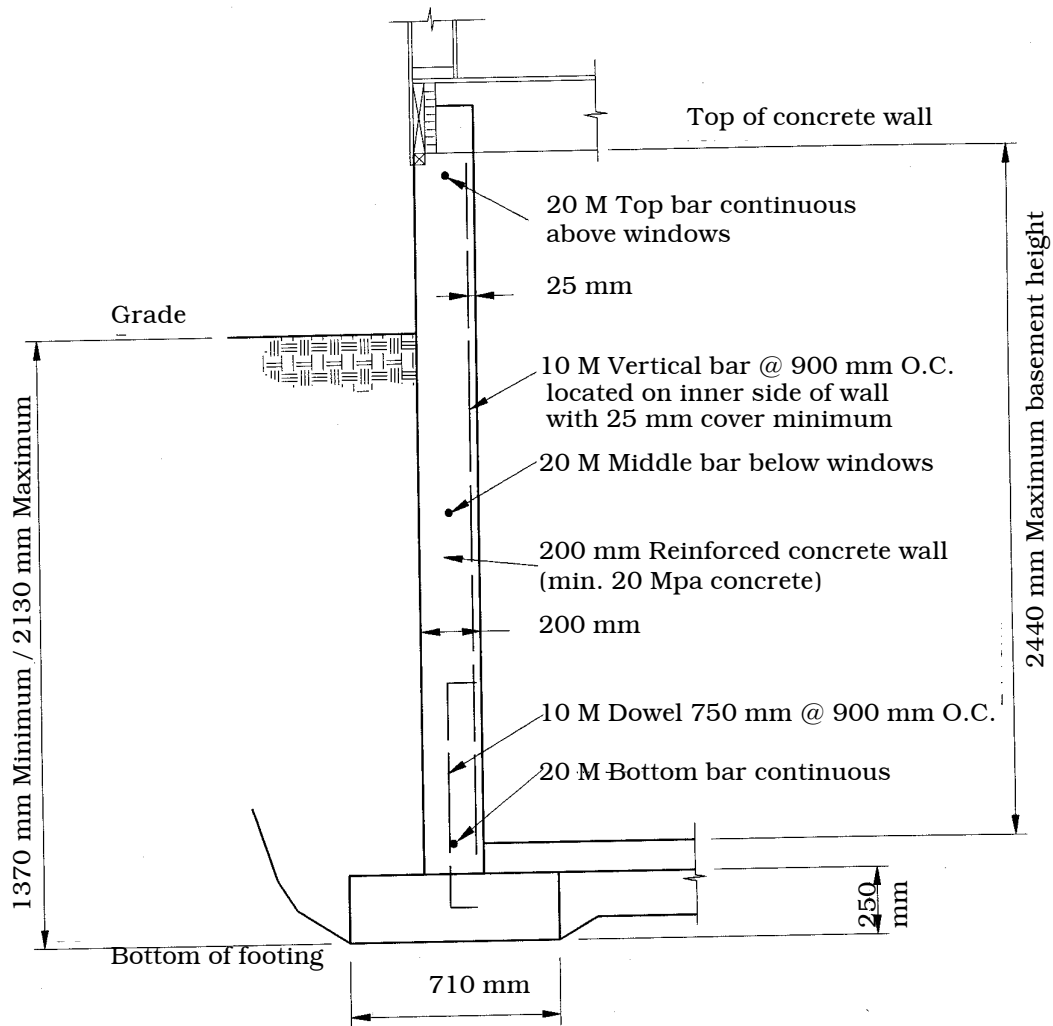
NOTES:

- 1) Walls over 12 metres in length shall be designed by a *professional engineer*.
- 2) Minimum interior column footing size 750 mm × 750 mm × 250 mm.
- 3) "M" means Metric bar.

Figure 9.15.2.5.B.
Forming part of subsection 9.15.2.5.(1)

MINIMUM REINFORCEMENT FOR
LATERALLY SUPPORTED FOUNDATION WALLS

Up to 12 metres in length and in fine-grain soils



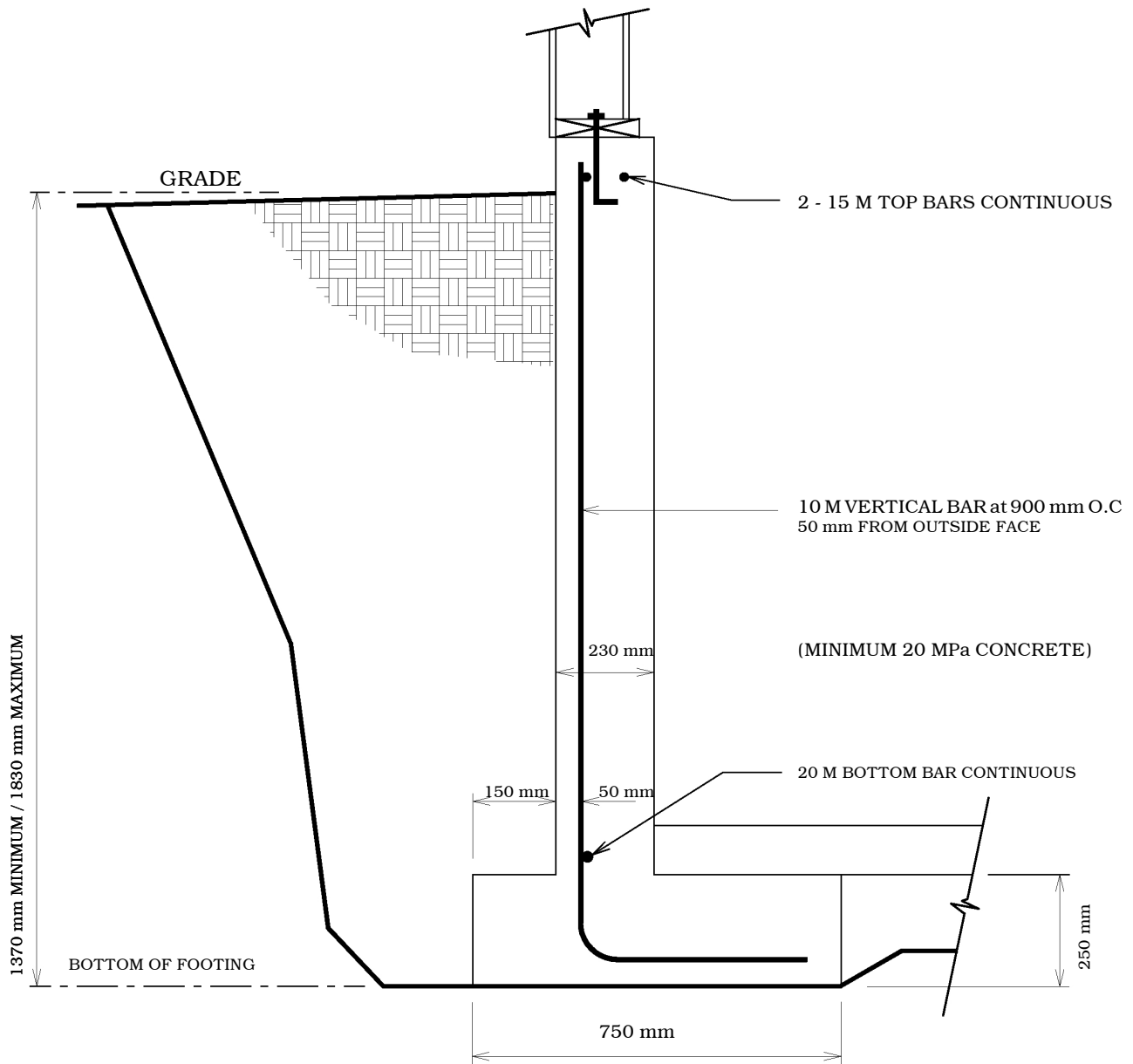
TWO STOREY

NOTES:

- 1) Walls over 12 metres in length shall be designed by a *professional engineer*.
- 2) Minimum interior column footing size 900 mm × 900 mm × 300 mm.
- 3) "M" means Metric bar.

Figure 9.15.2.5.C.
Forming part of subsection 9.15.2.5(1)

MINIMUM REINFORCEMENT FOR
LATERALLY UNSUPPORTED FOUNDATION WALLS
UP TO 12 METRES IN LENGTH AND IN FINE-GRAINED SOILS

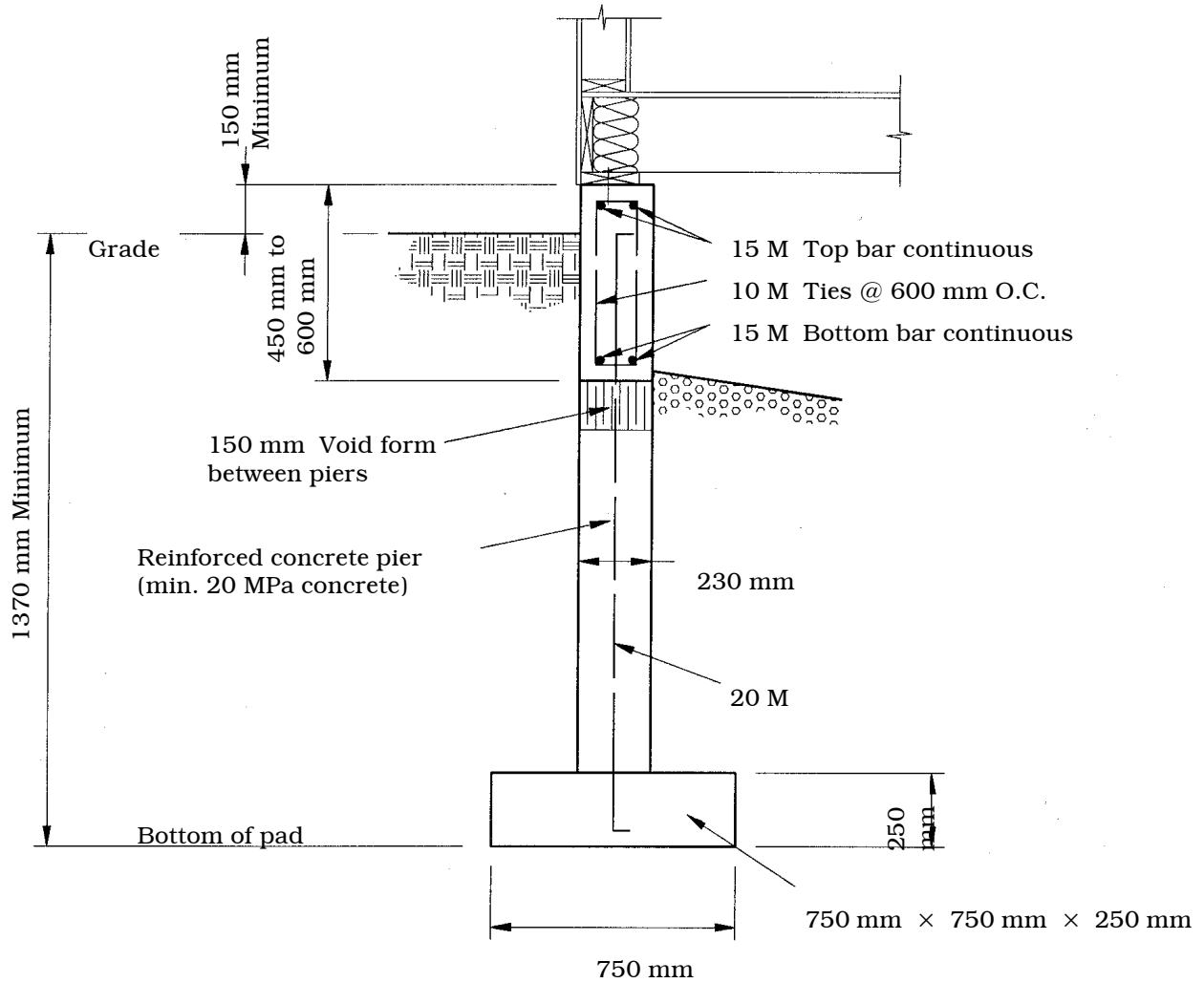


NOTES :

- 1) walls over 12 metres in length shall be designed by a *professional engineer*.
- 2) "M" means Metric bar

Figure 9.15.2.5.D.
Forming part of subsection 9.15.2.5.(1)

MINIMUM REINFORCEMENT FOR
PIERS AND PERIMETER GRADE BEAMS IN FINE-GRAIN SOILS
FOR ONE STOREY FRAME DWELLINGS



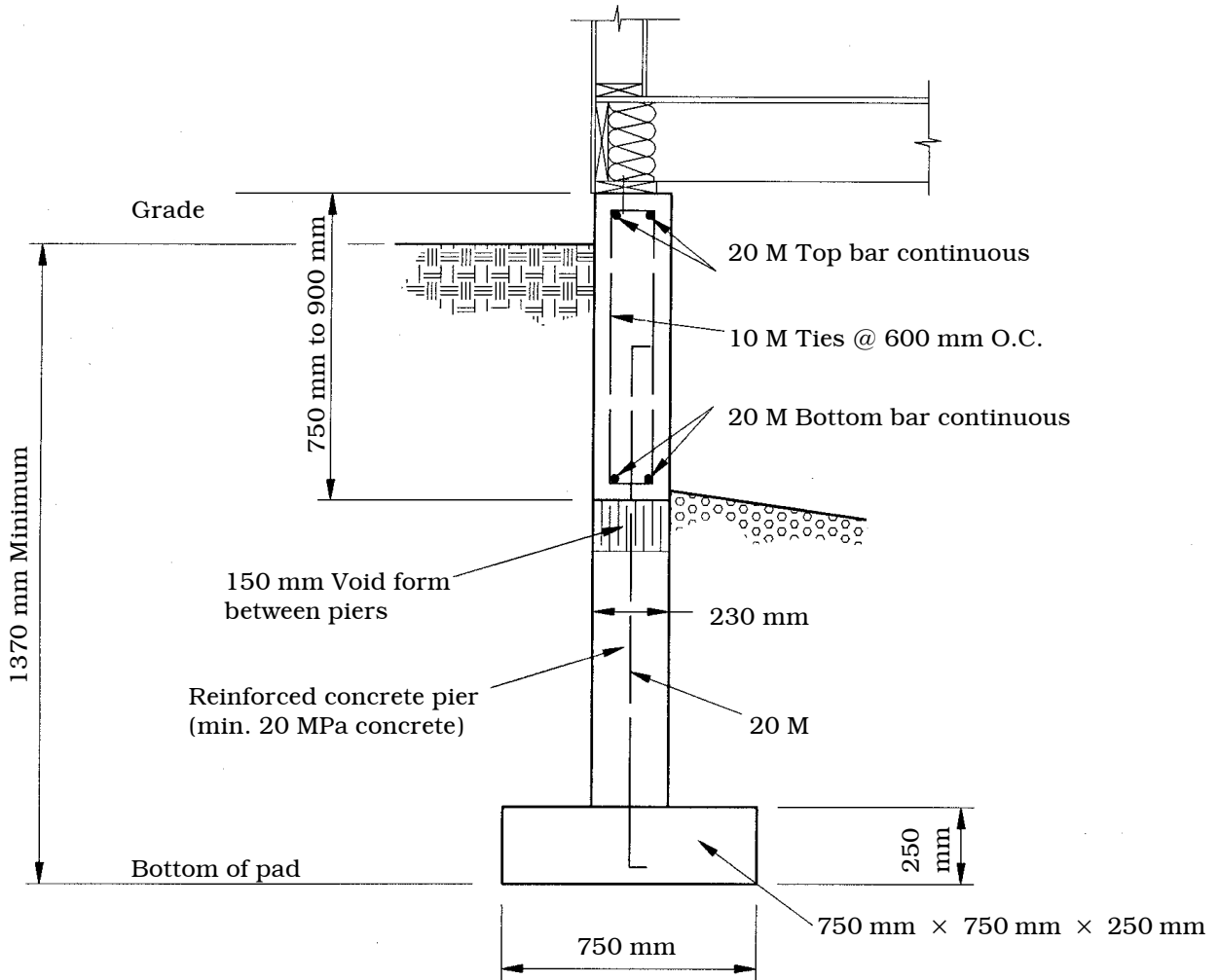
PIERS @ 2.5 metres O.C. MAXIMUM

NOTES:

- 1) Maximum supported joist length of 2.44 metres.
- 2) "M" means Metric bar.

Figure 9.15.2.5.E.
Forming part of subsection 9.15.2.5.(1)

MINIMUM REINFORCEMENT FOR
PIERS AND PERIMETER GRADE BEAMS IN FINE-GRAIN SOILS
FOR ONE STOREY FRAME DWELLINGS



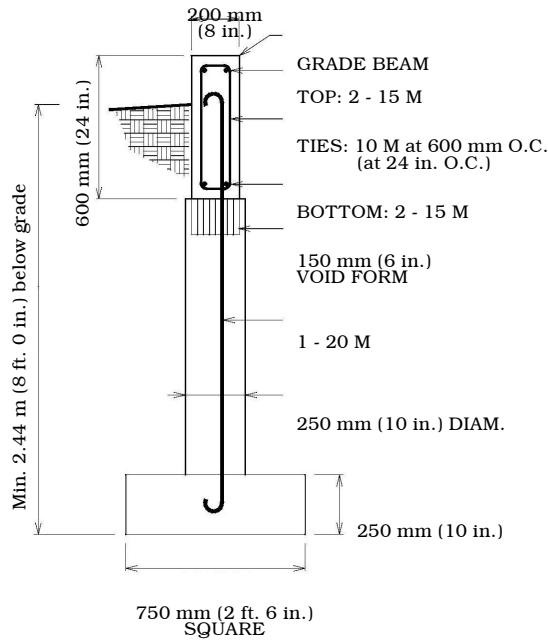
PIERS @ 3.0 metres O.C. MAXIMUM

NOTES:

- 1) Maximum supported joist length of 3.05 metres.
- 2) "M" means Metric bar.

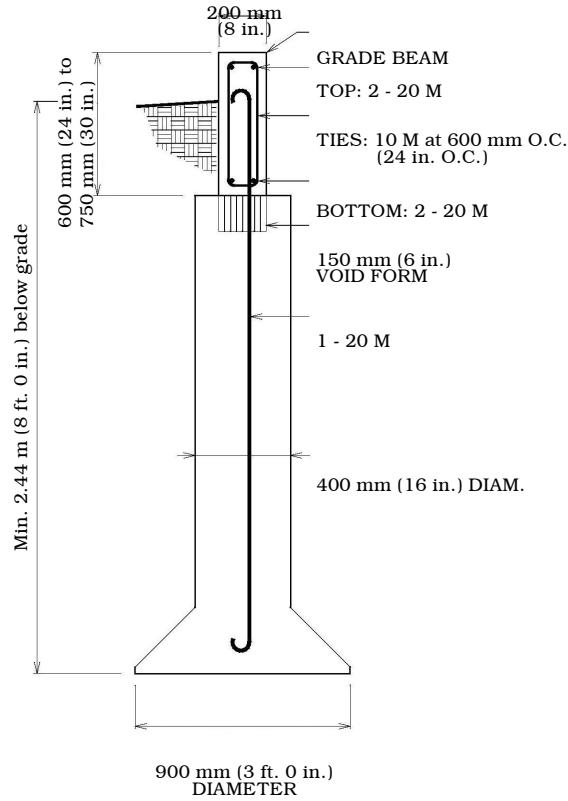
Figure 9.15.2.5.F.
Forming part of subsection 9.15.2.5.(1)

MINIMUM REINFORCEMENT FOR
ONE STOREY ATTACHED GARAGE GRADE BEAMS
IN FINE-GRAINED SOILS



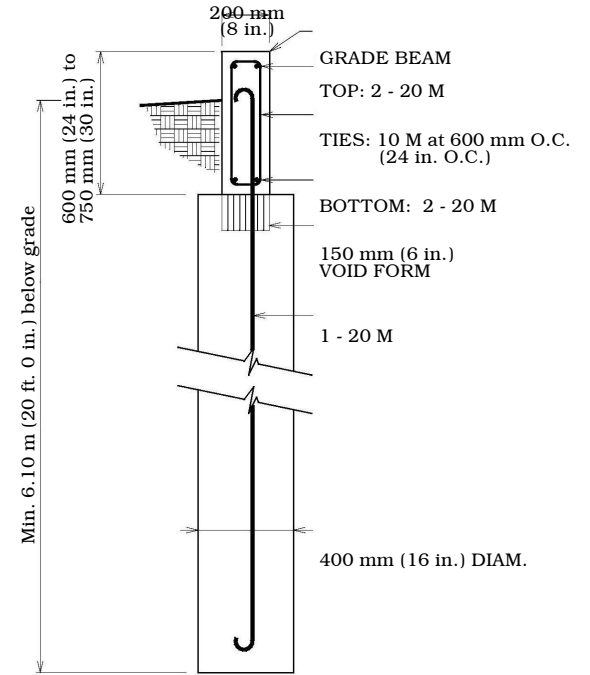
PIER and PAD

Maximum spacing: 2.44 m O.C. (8 ft. 0 in. O.C.)



BELLED PILE

Maximum spacing: 3.66 m O.C. (12 ft. 0 in. O.C.)



FRICTION PILE

Maximum spacing: 3.66 m O.C. (12 ft. 0 in. O.C.)

2(57) [Repealed] M.R. 52/2015

2(58) **The following is added after Subsection 9.28.6.:**

9.28.7. Stucco Application for Single-Family, Two-Family and Row Housing

9.28.7.1. Two Coat Application for Single-Family, Two-Family and Row Housing

1) Despite Subsection 9.28.6., this Subsection applies to single-family dwellings, two-family dwellings and row housing.

9.28.7.2. Low Temperature Conditions

1) The base for stucco shall be maintained above freezing.

2) Stucco shall be maintained at a temperature of not less than 4°C during application and for not less than 48 h afterwards.

9.28.7.3. Number of Coats and Total Thickness

1) Stucco shall be applied with at least one base coat and one finish coat, providing a total thickness of not less than 15 mm, measured from the face of the wall sheathing paper or the face of the masonry where no lath is used.

9.28.7.4. First Coat

1) The first coat shall be not less than 9 mm thick, measured from the face of the wall sheathing paper or masonry, fully embedding the lath.

2) The surface of the first coat shall be scored to provide a key with the finish coat.

9.28.7.5. Finish Coat

1) The thickness of the finish coat shall not be less than 6 mm.

2) The finish coat shall be applied at a temperature of not less than 4° C, which must be maintained for 48 hours after completion of the work.

2(59) [Repealed] M.R. 52/2015

2(60) **Sentence 9.32.3.9.(2) is amended by adding the following after clause (d):**

e) be interconnected to *smoke alarms*, if *smoke alarms* are required under Article 9.10.19.1.

2(60.1) **Sentence 9.36.1.3.(1) is amended in the part before clause (a) by striking out "Sentences (2) to (5)" and substituting "Sentences (2) to (6)".**

2(60.2) Article 9.36.1.3. is amended by adding the following after Sentence (5):

6) *Temporary buildings*, including construction camps, are exempted from the requirements of this section.

2(60.3) The following is added after Sentence 9.36.2.2.(4):

4.1) An opaque *building* assembly or portion of an opaque *building* assembly listed in column 1 of Table A-9.36.2.2.(4.1)A. or Table A-9.36.2.2.(4.1)B. in Appendix A is considered to have the effective thermal resistance indicated opposite in column 2 of those tables, and no calculation or laboratory tests under Sentence (4) are required to determine the effective thermal resistance of the assembly. (See Appendix A)

2(60.4) Table 9.36.2.6.B. is replaced with the following:

**Table 9.36.2.6B.
Effective Thermal Resistance of Above-ground Opaque Assemblies in
Buildings with a Heat-Recovery Ventilator
Forming Part of Sentence 9.36.2.6(1)**

Above-ground Opaque <i>Building</i> Assembly	Heating Degree-Days of <i>Building</i> Location, ⁽¹⁾ in Celsius Degree-Days		
	Zone 7A 5000 to 5999	Zone 7B 6000 to 6999	Zone 8 ≥7000
	Minimum Effective Thermal Resistance (RSI), (m ² ·K)/W (Effective R values in ft ² ·°F·h/Btu)		
Ceilings below attics	8.50 (R48.3)	8.50 (R48.3)	8.50 (R48.3)
Cathedral ceilings and flat roofs	5.02 (R28.5)	5.02 (R28.5)	5.02 (R28.5)
Walls ^{(2),(3)}	2.80 (R15.9)	2.80 (R15.9)	3.08 (R17.5)
Floors over unheated spaces	5.02 (R28.5)	5.02 (R28.5)	5.02 (R28.5)

Notes to Table 9.36.2.6B.:

⁽¹⁾ See Article 1.1.3.1.

⁽²⁾ See Sentence 9.36.2.8.(3) for requirements concerning the above-ground portion of *foundation* walls.

⁽³⁾ Walls exceeding the maximum unsupported height listed in Table 9.23.10.1. are permitted to have a RSI (R-value) of 0.03 (R0.17) lower than indicated.

2(60.5) Table 9.36.2.8.B. is replaced with the following:

Table 9.36.2.8.B.
Effective Thermal Resistance of Assemblies Below-Grade or in Contact with the
Ground in Buildings with a Heat-Recovery Ventilator
 Forming Part of Sentences 9.36.2.8(1) to (9)

Building Assembly Below-Grade or in Contact with the Ground ⁽¹⁾	Heating Degree-Days of <i>Building</i> Location, ⁽²⁾ in Celsius Degree-Days		
	Zone 7A 5000 to 5999	Zone 7B 6000 to 6999	Zone 8 ≥7000
	Minimum Effective Thermal Resistance (RSI), (m ² ·K)/W (Effective R values in ft ² ·°F·h/Btu)		
Foundation Walls	2.80 (R15.9)	2.80 (R15.9)	2.80 (R15.9)
Unheated floors ⁽³⁾			
below frost line ⁽⁴⁾⁽⁵⁾	uninsulated	uninsulated	uninsulated
above frost line ⁽⁵⁾	1.96 (R11.1)	1.96 (R11.1)	1.96 (R11.1)
Heated and unheated floors on permafrost	n/a	4.44 (R25.2)	4.44 (R25.2)
Heated floors ⁽⁶⁾	2.84 (R16.1)	2.84 (R16.1)	2.84 (R16.1)
Slabs-on-grade with an integral footing ⁽⁶⁾	2.84 (R16.1)	2.84 (R16.1)	3.72 (R21.1)

Notes to Table 9.36.2.8B.:

- (1) See Appendix A.
 (2) See Article 1.1.3.1
 (3) Does not apply to below-grade floors over heated crawl spaces.
 (4) Typically applies to floors-on-ground in full-height basements.
 (5) Refers to undisturbed frost line before house is constructed.
 (6) See Sentence 9.25.2.3.(5) for requirement on placement of insulation. The design of slabs-on-grade with an integral foot is addressed in Part 4 (see Article 9.6.1.2.).

2(60.6) The following is added at the end of Article 9.36.2.9.:

7) If a *building* being in compliance with Sentence (1) to (6) cannot be confirmed by visual examination, an airtightness test may be performed in accordance with CAN.CGSB-149.10-M86, "Determination of the Airtightness of Building Envelopes by Fan Depressurization Method" and an air leakage rate of the *building* not exceeding 2.5 air changes per hour at a pressure differential of 50 Pa is considered to conform to the requirements of this Article.

2(60.7) The following is added after Article 9.36.3.8.:**9.36.3.8.1 Required heat or energy recovery ventilators**

1) If a self-contained mechanical ventilation system serves a single *dwelling unit*, or a *dwelling unit* and a *secondary suite*, the principal exhaust component of the ventilation system shall be equipped with heat-recovery capability.

2(60.8) Table 9.36.3.10. is amended

(a) in the last column of the row "Split system", by striking out "SEER = 14.5" and substituting "SEER = 13"; and

(b) in the last column of the row "Gas-fired warm-air furnaces", by striking out "AFUE \geq 92%" and substituting "AFUE \geq 94%".

2(60.9) The following is added after Article 9.36.4.6.:**9.36.4.7. Drain Water Heat Recovery**

1) In *buildings of residential occupancy*, drain water heat recovery units shall be installed to receive drain water from at least one shower from each *dwelling unit* in the *building*.

2) Sentence (1) does not to apply to *dwelling units* in which:

a) there are no showers; or

b) there are no *stories* beneath any of the showers in the *dwelling unit*.

3) Drain water heat recovery units shall conform to CSA B55.2, "Drain Water Heat Recovery Units".

4) The efficiency and pressure loss of a drain water recovery unit shall be determined in conformance with CSA B55.1, "Test Method for Measuring Efficiency and Pressure Loss of Drain Water Heat Recovery Units".

5) The efficiency of a drain water heat recovery unit, when tested in accordance with Sentence (4), shall be not less than 42%.

6) The potable water-side pressure loss of a drain water heat recovery unit, when tested in accordance with Sentence (4), shall be not more than

a) 20.7 kPa if it used to supply water to two showers or less in an *equal flow configuration*, or three showers or less in an *unequal flow configuration*, and

b) 13.8 kPa if it is used to supply water to more than two showers in an *equal flow configuration*, or more than three showers in an *unequal flow configuration*.

7) A drain water heat recovery unit shall not supply pre-heated water to more than six showers, regardless of whether it supplies the showers in an *equal* or *unequal flow configuration*.

8) Drain water heat recovery units shall be installed

- a) in an upright position that does not diverge more than 5° from the vertical,
- b) in a position such that the cold water inlet connection is at the bottom of the unit,
- c) downstream of a water softener where a water softener is installed, and
- d) in a *conditioned space* or on the warm side of the dewpoint of the wall assembly.

2(61) **The following is added after Part 9:**

Part 10

Special Construction Standards

Section 10.1. Private Pools

10.1.1. Scope

10.1.1.1. Scope

1) This Part applies to *private pools*.

2) Pools other than *private pools* shall conform to the requirements under *The Public Health Act* and regulations under that Act.

10.1.2. Fences and Access

10.1.2.1. Enclosures

1) An outdoor *private pool* shall be enclosed with a fence or other suitable barrier constructed in accordance with the following requirements:

- a) a minimum height of 1.5 m,
- b) there shall be no openings, other than a door to a *building* or a gate as described in Clause (c), and it shall not be possible for a child to crawl under either the fence or the gate,
- c) any gate shall be self-closing, shall be at least 1.5 m in height and shall be equipped with a lockable latch to prevent unauthorized entry,
- d) where a chain link fence is used, the outside surface of the fence or gate shall be at least No. 11 gauge,

- e) where other than a chain link fence is used, the outside surface of the fence or gate shall be relatively smooth so as not to provide foot or toe holds,
- f) if, in the opinion of the *authority having jurisdiction*, there is any undesirable feature pertaining to the enclosure, suitable steps shall be taken to correct the situation.

10.1.2.2. Maintenance

- 1) The enclosure surrounding an outdoor *private pool* shall be maintained in good repair.

10.1.2.3. Hot Tub Covers

- 1) In lieu of the enclosures specified under Articles 10.1.2.1. and 10.1.2.3., the fence and gate are not required for a hot tub installed outdoors at a single-family dwelling
 - a) the hot tub does not exceed 2.4 m in diameter or 4.65 m² in total surface area,
 - b) the hot tub has a cover that
 - i) has the structural strength to support the weight of an adult walking across the top of the cover when it is in the closed position, and
 - ii) is capable of being locked in the covered position to prevent access to the water by unauthorized persons, and
 - c) at all times when use is not supervised by an adult, the hot tub is covered by a cover that complies with clause (b), and is locked.
- 2) A hot tub capable of containing water to depth 600 mm or greater shall have installed on it a cover that complies with Clauses (1)(b) and (c) if the hot tub is installed outdoors at a single-family dwelling.

10.1.3. Electrical Wiring

10.1.3.1. General Electrical Requirements

- 1) All electrical installations shall comply with the *Manitoba Electrical Code*.
- 2) All metallic parts of a *private pool*, including reinforcing steel, shall be electrically grounded in accordance with the requirements of the *Manitoba Electrical Code*.

10.1.3.2. Overhead Wiring

- 1) No overhead wiring shall be situated above a *private pool* — including associated structures such as a diving structure, observation stand, tower or platform — or above the area extending 3 m horizontally from the pool edge, and no *private pool* or associated structure shall be placed within 3 m, measured horizontally from the pool edge, of an existing overhead wire.

2) The following overhead wiring may be situated within the area otherwise prohibited by Sentence (1) if, in the opinion of the *authority having jurisdiction*, it is impractical to comply with that Sentence:

- a) insulated communication conductors and neutral supported cables operating at 600 V, providing there is a clearance of at least 4.5 m (measured radially) from the overhead wiring,
- b) conductors operating at not more than 50 kV phase-to-phase, providing there is a clearance of at least 7.5 m (measured radially) from the overhead wiring.

10.1.3.3. **Underground Wiring**

1) No *private pool* shall be placed within 1.5 m of an underground electrical conductor, including a communication conductor, and no underground electrical conductor, including a communication conductor, shall be placed within 1.5 m of the inside walls of the *private pool*.

2) Sentence (1) does not apply to

- a) bonding conductors, and
- b) conductors supplying electrical equipment associated with the pool,

that are protected by a ground fault circuit interrupter.

10.1.4. **Plumbing Requirements**

10.1.4.1. **Backflow Prevention**

1) The water in a *private pool* and its recirculation system shall be separated from the make-up water supply and from the sewer or drainage system by air gaps or other backflow preventers.

10.1.4.2. **Water Disposal**

1) Pool waste-water shall be disposed of into a sanitary sewer system, directly into a storm sewer or be contained within the confines of the *owner's* property.

10.1.5. **Structural Requirements**

10.1.5.1. **Design**

1) The structural design of a *private pool* that is an in-ground swimming pool must bear the seal of a *professional engineer* competent in the structural designing of in-ground swimming pools.

2(62) Appendix A is amended by adding the following after Sentence A-9.36.2.2.(3):

A-9.36.2.2(4.1) Common Assemblies for which Calculations are not Required. To assist code users in complying with Tables 9.36.2.6.A., 9.36.2.6.B., 9.36.2.8.A. and 9.36.2.8.B., and to relieve code users from the need to undertake calculations in accordance with Sentence 9.36.2.2.(4) for commonly-used wall assemblies, Tables A-9.36.2.2.(4.1)A. and A-9.26.2.2.(4.1)B. below list a variety of above-ground and foundation wall assemblies and their effective thermal resistance values.

In addition to the framing and insulation listed, each wall assembly in Table A-9.36.2.2.(4.1)A. includes 11 mm OSB sheathing, 12.7 mm gypsum interior finish and 15 mm stucco, and the interior and exterior air films are both taken into account in the RSI value shown.

In addition to the framing and insulation listed, each wall assembly in Table A-9.36.2.2.(4.1)B. includes 200 mm cast-in-place concrete and a 25 mm air space, and the interior air film is taken into account in the RSI value shown.

**Table A-9.36.2.2.(4.1)A.
Effective Thermal Resistance (RSI) Values of
Commonly Used Above-Ground Wall Assemblies**

Framing configuration and insulation	Effective Thermal Resistance (RSI) (m ² ·K)/W (Effective R values in ft ² ·°F·h/Btu)
38 x 89 mm wood at 610 mm o.c. with R-12 insulation in framing cavity and 25 mm XTPS on exterior ⁽¹⁾	2.8 (R15.9)
38 x 140 mm wood at 610 mm o.c. with R-20 insulation in framing cavity ⁽¹⁾	2.9 (R16.4)
38 x 140 mm wood at 406 mm o.c. with R-22 insulation in framing cavity ⁽¹⁾	2.9 (R16.5)
38 x 140 mm wood at 610 mm o.c. with R-22 insulation in framing cavity ⁽¹⁾	3.0 (R17.0)
38 x 89 mm wood at 610 mm o.c. with R-12 insulation in framing cavity and 38 mm XTPS on exterior ⁽¹⁾	3.2 (R18.2)
38 x 89 mm wood at 406 o.c. with R-12 insulation in framing cavity and 50 mm XTPS on exterior ⁽¹⁾	3.5 (R19.9)
38 x 89 mm wood at 610 mm o.c. with R-12 insulation in framing cavity and 50 mm XTPS on exterior ⁽¹⁾	3.6 (R20.4)
38 x140 mm wood at 406 mm o.c. with R-20 insulation in framing cavity and 38 mm XTPS on exterior ⁽¹⁾	4.1 (R23.3)
38 x140 mm wood at 610 mm o.c. with R-20 insulation in framing cavity and 38 mm XTPS on exterior ⁽¹⁾	4.2 (R23.8)
38 x140 mm wood at 406 mm o.c. with R-22 insulation in framing cavity and 38 mm XTPS on exterior ⁽¹⁾	4.2 (R23.8)
38 x140 mm wood at 610 mm o.c. with R-22 insulation in framing cavity and 38 mm XTPS on exterior ⁽¹⁾	4.3 (R25.0)

⁽¹⁾ In addition the framing and insulation configuration listed, wall assembly includes 11 mm OSB sheathing, 12.7 mm gypsum interior finish and 15 mm stucco.

**Table A-9.36.2.2.(4.1)B.
Effective Thermal Resistance (RSI) Values of Commonly Used Below-Grade or in
Contact with the Ground Foundation Wall Assemblies**

Framing configuration and insulation	Effective Thermal Resistance (RSI) (m ² ·K)/W (Effective R values in ft ² ·°F·h/Btu)
38 x 89 mm wood at 610 mm o.c. with R-20 insulation in framing cavity ⁽¹⁾	2.8 (R15.9)
38 x 89 mm wood at 610 mm o.c. with R-22 insulation in framing cavity ⁽¹⁾	2.9 (R16.5)
38 x 89 mm wood at 610 mm o.c. with R-24 insulation in framing cavity ⁽¹⁾	3.0 (R17.0)
38 x 89 mm wood at 610 mm o.c. with 2 layers of R-12 insulation ⁽¹⁾⁽²⁾	4.2 (R23.8)

⁽¹⁾ In addition to the framing and insulation configuration listed, wall assembly includes 200 mm cast-in-place concrete, and the insulation is offset from the concrete *foundation* wall by minimum 25 mm.

⁽²⁾ First layer of insulation to be installed with its greatest dimension on the horizontal axis. Second layer of insulation to be installed in the stud cavity.

M.R. 31/2011; 175/2012; 48/2013; 214/2013; 52/2015; 222/2015; 5/2017

3(1) Division C is amended by this section.

3(2) The following is added after Article 2.2.2.2.:

2.2.2.3. Designers Required

1) Plans, drawings and related documents submitted with an application to build a *building* covered under Article 1.3.3.2. of Division A must be prepared, signed and sealed by an *architect*, a *professional engineer* or both, as determined in accordance with Table 2.2.2.3.

**Table 2.2.2.3.
Professional Designers Required
Forming Part of Sentence 2.2.2.3.(1)**

Building Classification	Designers Required*
Group A: Assembly Occupancies (except for Group A, Division 3: Arenas with a fixed seating capacity of 1,000 people or less)	<i>Architect</i> and <i>Professional Engineer</i>
Group A, Division 3: Arenas <i>Building with a fixed seating capacity of 1,000 people or less</i>	<i>Architect</i> or <i>Professional Engineer</i>
Group B: Care or Detention Occupancies	<i>Architect</i> and <i>Professional Engineer</i>
Group C: Residential Occupancies <i>Building exceeding 600 m² in building area or exceeding 3 storeys in building height</i>	<i>Architect</i> and <i>Professional Engineer</i>
Group D: Business and Personal Services Occupancies <i>Building exceeding 600 m² in building area or exceeding 3 storeys in building height</i>	<i>Architect</i> and <i>Professional Engineer</i>
Group E: Mercantile Occupancies <i>Building exceeding 600 m² in building area or exceeding 3 storeys in building height</i>	<i>Architect</i> and <i>Professional Engineer</i>
Group F, Division 1: High Hazard Industrial Occupancies	<i>Architect</i> or <i>Professional Engineer</i>
Group F, Division 2 and Division 3: Medium and Low Hazard Industrial Occupancies <i>Building exceeding 600 m² in building area or exceeding 3 storeys in building height</i>	<i>Architect</i> or <i>Professional Engineer</i>
Farm Building subject to Section 3.10 of Division B	<i>Architect</i> or <i>Professional Engineer</i>

* The required *designer(s)* must be skilled in the type of work concerned.

2) Where the *authority having jurisdiction* determines that an *alteration* to a *building* covered under Article 1.3.3.2. of Division A will or is likely to significantly affect the integrity of

- a) the fire safety systems, including fire alarms, sprinklers and standpipes,
- b) the life safety systems, including *exits*, lobbies and public corridors,
- c) the *fire compartments*, including vertical or horizontal *fire separations*,

- d) the structural system,
- e) the environmental separation systems, including the *building envelope*,
- f) the heating, ventilation and air-conditioning systems,
- g) the usable *floor area* through the *addition* of a *mezzanine*, in-fill or other similar element, or
- h) any one or more of the things mentioned in Clauses (a) to (g),

the plans, drawings and related documents submitted with the application to make the *alteration* must be prepared, signed and sealed by an *architect*, a *professional engineer* or both, as determined by the *authority having jurisdiction* that relate to the type of work concerned.

3) Where under Sentence 2.2.2.3.(1) or (2) plans, drawings or related documents are to be prepared, signed and sealed by two or more *designers*, each must prepare, sign and seal those plans, drawings and related documents that relate to the type of work in which he or she is skilled.

3(3) Article 2.2.4.2. is replaced with the following:

2.2.4.2. Seal and Signature of Professional Engineer

1) Structural drawings and related documents submitted with the application to build a *building* shall be dated and shall bear the authorized professional seal and signature of a *professional engineer* skilled in the work concerned.

3(4) Sentence 2.2.7.2.(1) is replaced with the following:

1) The *designer* or another suitably qualified person responsible to the *designer* shall review construction of any *building* or part thereof to determine conformance of the design.

3(5) Sentence 2.2.7.3.(1) is replaced with the following:

1) The *designer* or another suitably qualified person responsible to the *designer* shall review all shop drawings and other related documents relevant to the design to determine conformance with the design.

3(6) Sentence 2.2.7.4.(1) is replaced with the following:

1) Workmanship, materials and all reports of material tests shall be reviewed by the *designer* or another suitably qualified person responsible to the *designer* during the process of construction.

4 [Repealed]

M.R. 48/2013; 118/2014; 52/2015; 222/2015; 5/2017

**ANNEXE
(article 1)**

MODIFICATIONS AU CODE NATIONAL DU BÂTIMENT — CANADA 2010

1(1) Le présent article modifie la division A.

1(2) Le paragraphe 1.1.1.1. 3) est supprimé.

1(3) [Abrogé] R.M. 52/2015

1(4) L'article 1.3.3.1. est remplacé par ce qui suit :

1.3.3.1. Domaine d'application des parties 1, 7, 8 et 10

1) À l'exception de ce que prévoient les sous-sections 1.3.5. et 1.3.6. de la division A, les parties 1, 7, 8 et 10 de la division B s'appliquent à tous les *bâtiments* visés par le présent code (voir l'article 1.1.1.1.).

1(5) L'article 1.3.3.2. est remplacé par ce qui suit :

1.3.3.2. Domaine d'application des parties 3, 4, 5, 6 et 10

1) Sous réserve des sous-sections 1.3.5. et 1.3.6. de la division A, les parties 3, 4, 5, 6 et 10 de la division B s'appliquent à tous les *bâtiments* mentionnés à l'article 1.1.1.1. :

a) considérés comme étant des *bâtiments de protection civile*;

b) abritant des *usages principaux* :

i) du groupe A, *établissements de réunions*;

ii) du groupe B, division 1, *établissement de détention*, division 2, *établissement de traitement*, ou division 3, *établissement de soins*; ou

iii) du groupe F, division 1, *établissements industriels à risques très élevés*;

c) abritant, si le *bâtiment* excède 600 m² ou si la *hauteur de bâtiment* dépasse 3 *étages*, des *usages principaux* :

i) du groupe C, *habitations*;

ii) du groupe D, *établissements d'affaires*;

iii) du groupe E, *établissements commerciaux*; ou

iv) du groupe F, divisions 2 et 3, *établissements industriels à risques moyens et établissements industriels à risques faibles*; ou

- d) abritant des *usages principaux* du groupe B, division 4, *établissement de soins de type résidence supervisée*, si le bâtiment :
 - i) dispose d'une *aire de bâtiment* qui est supérieure à 600 m²;
 - ii) a une *hauteur de bâtiment* qui dépasse 3 étages;
 - iii) héberge plus de 10 *personnes recevant des soins en résidence* qui habitent dans le *bâtiment*.

1(6) L'article 1.3.3.3. est remplacé par ce qui suit :

1.3.3.3. Domaine d'application des parties 9 et 10

- 1) Sous réserve des sous-sections 1.3.5. et 1.3.6. de la division A, les parties 9 et 10 de la division B s'appliquent à tous les *bâtiments* mentionnés à l'article 1.1.1.1. :
 - a) d'une *hauteur de bâtiment* d'au plus trois étages;
 - b) d'une *aire de bâtiment* d'au plus 600 m²; et
 - c) abritant des *usages principaux* :
 - i) du groupe C, *habitations* (voir la note A-9.1.1.1. 1) de la division B);
 - ii) du groupe D, *établissements d'affaires*;
 - iii) du groupe E, *établissements commerciaux*;
 - iv) du groupe F, divisions 2 et 3, *établissements industriels à risques moyens et établissements industriels à risques faibles*; ou
 - v) du groupe B, division 4, *établissements de soins de type résidence supervisée* dans lesquels habitent au maximum 10 *personnes recevant des soins en résidence*.

1(6.1) Il est ajouté, après l'article 1.3.3.4., ce qui suit :

1.3.3.5. Domaine d'application — bâtiments agricoles

- 1) Les *bâtiments agricoles* dont l'*aire de bâtiment* est supérieure à 600 m² et qui ne sont pas à *faible occupation humaine* doivent :
 - a) être classés par l'autorité compétente parmi l'un des *usages principaux* en fonction de leur *usage dominant*; et
 - b) être conformes aux exigences du présent *Code* pour l'*usage principal* en question.
- 2) Les *bâtiments agricoles à faible occupation humaine* dont l'*aire de bâtiment* est égale ou supérieure à 600 m² ne sont assujettis qu'aux dispositions suivantes de la division B :
 - a) la partie 1;

- b) la section 3.10.;
- c) la partie 4; et
- d) la section 6.1. ainsi que les articles 6.2.1.1. et 6.2.1.4.

3) Malgré le paragraphe 2), les sections 3.10. et 6.1. ainsi que les articles 6.2.1.1. et 6.2.1.4. ne s'appliquent pas aux *bâtiments* suivants :

- a) les *bâtiments agricoles* :
 - i) qui ne sont pas chauffés, refroidis ni ventilés au moyen d'installations mécaniques;
 - ii) dont au moins 20 % de la surface totale des murs de pourtour est ouverte à l'air libre; et
 - iii) qui sont utilisés uniquement pour abriter des animaux d'élevage ou entreposer des fibres et du fourrage; ou
- b) les *bâtiments agricoles* qui sont utilisés uniquement, en totalité ou en partie, pour le stockage de déjections.

1(7) Il est ajouté, après la sous-section 1.3.4., ce qui suit :

1.3.5. Utilisation restreinte des bâtiments existants

1.3.5.1. Transformations et réparations

1) Le présent code s'applique aux parties de *bâtiments* existants qui sont transformées ou réparées. Dans les cas où, de l'avis de l'*autorité compétente*, la *transformation* aurait une incidence sur le degré de sécurité d'une partie du *bâtiment* qui n'a été ni transformée ni réparée, des améliorations doivent y être apportées comme l'exige l'*autorité compétente*.

2) La *transformation* ou la réparation d'un *bâtiment* ne doit pas réduire le degré de sécurité des personnes ni le rendement du *bâtiment*.

1.3.5.2. Rajouts horizontaux

1) Il est permis d'apporter des *rajouts* à un *bâtiment* ou à une construction pourvu :

- a) que le *bâtiment* et le *rajout* soient conformes au présent code; ou
- b) qu'un *mur coupe-feu* ayant le *degré de résistance au feu* requis sépare le *bâtiment* du *rajout* et qu'un accès acceptable au *rajout* soit prévu pour le service d'incendie.

1.3.5.3. Augmentation du nombre d'étages

1) Il est interdit d'augmenter le nombre d'*étages* d'un *bâtiment* existant si le *bâtiment* complet n'est pas conforme au présent code.

1.3.5.4. Déplacement d'un bâtiment

1) Le présent code s'applique aux *bâtiments* existants qui sont déplacés en tout ou en partie vers un nouvel endroit.

1.3.5.5. Démolition

1) Lorsque la totalité ou une partie d'un *bâtiment* est démolie, le présent code s'applique aux travaux de démolition ainsi qu'aux travaux effectués sur toute partie non démolie du *bâtiment* afin de corriger une défectuosité.

1.3.5.6. Bâtiments endommagés

1) Le présent code et le *Code de prévention des incendies du Manitoba* s'appliquent aux travaux de reconstruction des *bâtiments* existants endommagés par un incendie ou de toute autre façon.

1.3.5.7. Condition dangereuse

1) Le présent code et le *Code de prévention des incendies du Manitoba* s'appliquent aux travaux effectués afin de corriger une *condition dangereuse* dans un *bâtiment* ou près de ce dernier.

1.3.5.8. Changement d'usage

1) Le présent code s'applique aux *bâtiments* et aux parties de *bâtiments* dont l'*usage principal* est changé.

1.3.6. Exclusions**1.3.6.1. Exclusions du présent code**

- 1) Le présent code ne s'applique pas :
 - a) aux travaux publics effectués sur une *voie publique*;
 - b) aux pylônes ou aux poteaux des compagnies de service public, aux pylônes ou aux antennes de transmission de signaux de télévision, de radio ou de communication, sauf dans la mesure où ils exercent des charges sur les *bâtiments* auxquels ils sont attachés ou sur lesquels ils sont installés;
 - c) aux barrages hydroélectriques ou de régulation des crues ni aux constructions ou à l'équipement et au matériel mécanique ou autre liés aux barrages et dont il n'est pas fait mention dans le présent code;
 - d) aux *bâtiments* dont l'*aire de bâtiment* n'est pas supérieure à 10 m² et qui, de l'avis de l'*autorité compétente*, ne présente aucun danger; ou
 - e) aux *bâtiments agricoles* dont l'*aire de bâtiment* ne dépasse pas 600 m².

1(8) Le paragraphe 1.4.1.2. 1) est modifié par adjonction, en ordre alphabétique, des définitions qui suivent :

Allée piétonne (*pedestrian walkway*) : voie ou passage destiné à la circulation des piétons.

Appareil de sonorisation assistée (*assistive listening device*) : appareil servant à entendre le son provenant d'un système de sonorisation assistée.

Architecte (*architect*) : personne autorisée à exercer l'architecture en vertu de la *Loi sur les architectes*.

Bâtiment temporaire (*temporary building*) : bâtiment installé à un endroit précis pendant la période qu'autorise l'autorité compétente. Si le bâtiment n'est pas enlevé au plus tard à la fin de la période autorisée, ce dernier est réputé être un nouveau bâtiment pour l'application du présent code.

Code de l'électricité du Manitoba (*Manitoba Electrical Code*) :

- a) dans le cas des autres municipalités que la ville de Winnipeg, le *Code de l'électricité du Manitoba*;
- b) dans le cas de la ville de Winnipeg, l'arrêté intitulé « *Winnipeg Electrical By-Law* ».

Configuration à débits égaux (*equal flow configuration*) : configuration permettant de préchauffer à la fois l'eau froide et l'eau chaude alimentant la douche ou les douches à partir desquelles le récupérateur de chaleur des eaux grises reçoit les eaux évacuées.

Configuration à débits inégaux (*unequal flow configuration*) : configuration permettant de préchauffer soit l'eau froide, soit l'eau chaude alimentant la douche ou les douches à partir desquelles le récupérateur de chaleur des eaux grises reçoit les eaux évacuées.

Entrée piétonne (*pedestrian entrance*) : entrée permettant aux personnes de pénétrer dans un bâtiment afin d'y accéder ou d'accéder aux services qui y sont offerts. Sont également des entrées piétonnes les entrées publiques et les entrées destinées au personnel. La présente définition exclut les entrées de service et les plates-formes de chargement.

Enveloppe de bâtiment (*building envelope*) : s'entend des composantes du bâtiment qui séparent l'espace chauffé de l'espace non chauffé ou qui sont en contact avec l'air extérieure ou le sol.

Espace de virage (*turning space*) : espace supplémentaire nécessaire pour qu'un dispositif d'aide à la mobilité puisse changer de direction.

Établissement de soins de type résidence supervisée (groupe B, division 4) (*residential care occupancy*) (Group B, Division 4) : usage d'un bâtiment ou de l'une de ses parties pour l'une ou l'autre des fins suivantes :

- a) à titre d'établissement de soins en résidence, autre qu'une résidence de famille hôte, exploité en vertu d'un permis ou d'une lettre d'agrément délivré sous le régime de la *Loi sur les services sociaux*;
- b) à titre d'établissement d'aide à l'enfant exploité en vertu d'un permis délivré sous le régime du *Règlement sur la délivrance de permis aux établissements d'aide à l'enfant (à l'exclusion des foyers nourriciers)*, R.M. 17/99.

Sont exclus de la présente définition les établissements de traitement ou de détention.

Faible occupation humaine (*low human occupancy*) : usage pour lequel le nombre de personnes est d'au plus une personne par 40 m² pendant une utilisation normale d'un *bâtiment agricole*.

Habitation saisonnière (*seasonal dwelling*) : lieu de résidence unifamilial qui n'est pas un lieu de résidence principal.

Ingénieur (*professional engineer*) : ingénieur au sens de l'article 1 de la *Loi sur les ingénieurs et les géoscientifiques*.

Personne recevant des soins en résidence (*residential care client*) : résident au sens de l'un ou l'autre des règlements suivants :

- a) le *Règlement sur la délivrance de permis aux établissements de soins en résidence*, R.M. 484/88 R;
- b) le *Règlement sur la délivrance de permis aux établissements d'aide à l'enfant (à l'exclusion des foyers nourriciers)*, R.M. 17/99.

Piéton (*pedestrian*) : personne qui se déplace à pied ou au moyen d'un dispositif d'aide à la mobilité dont elle a besoin.

Piscine privée (*private pool*) : bassin artificiel muni de parois dont le revêtement est en béton, en fibre de verre, en vinyle ou d'un matériau similaire, pouvant contenir plus de 60 cm d'eau et situé sur le terrain d'un lieu de résidence unifamilial.

Rajout (*addition*) : espace qui est ajouté à un *bâtiment* existant et qui augmente l'*aire du bâtiment*.

Système de sonorisation assistée (*assistive listening system*) : système de transmission sans fil du son que peut ajuster l'utilisateur et qui améliore la réception du son chez les personnes ayant une déficience auditive par le biais de l'élimination des bruits de fond indésirables et de l'amplification.

Voie de dépassement ou palier (*passing lane and landing*) : largeur supplémentaire permettant aux dispositifs d'aide à la mobilité de s'arrêter, d'effectuer des dépassements ou de changer de direction sans encombrement.

1(8.1) Le paragraphe 1.4.1.2. 1) est modifié :

a) dans la définition de « bâtiment agricole », par adjonction, après « l'alimentation des animaux », de « , à l'exclusion d'un bâtiment correspondant à la définition du groupe F, division 1 – Établissement industriel à risques très élevés »;

b) dans la définition d'« usage principal », par adjonction, après « B3 – Établissements de soins », de « B4 – Établissement de soins de type résidence supervisée ».

1(8.2) L'article 1.4.2.1. est modifié par adjonction de l'abréviation suivante :

PSXpolystyrène extrudé

1(9) Il est ajouté, après la sous-section 1.5.2., ce qui suit :

1.5.3. Codes provinciaux

1.5.3.1. Code de prévention des incendies

1) Tout renvoi au *Code national de prévention des incendies* est réputé être un renvoi au *Code de prévention des incendies du Manitoba*.

1.5.3.2. Code de l'électricité

1) Tout renvoi à la norme CSA C22.1, *Code canadien de l'électricité, première partie*, est réputé être un renvoi au *Code de l'électricité du Manitoba*.

1.5.3.3. Code du bâtiment

1) Tout renvoi au *Code national du bâtiment du Canada* est réputé être un renvoi au *Code du bâtiment du Manitoba*.

1.5.3.4. Code de la plomberie

1) Tout renvoi au *Code national de la plomberie du Canada* est réputé être un renvoi au *Code de la plomberie du Manitoba*.

1.5.3.5. Code de l'énergie

1) Tout renvoi au *Code national de l'énergie pour les bâtiments — Canada* est réputé être un renvoi au *Code de l'énergie pour les bâtiments du Manitoba*.

R.M. 48/2013; 52/2015; 222/2015; 5/2017

2(1) Le présent article modifie la division B.

2(2) Le tableau 1.3.1.2. est modifié :

a) par adjonction, après l'entrée « CSA B52-05 Code sur la réfrigération mécanique », de ce qui suit :

CSA	CSA B55.1	Méthode d'essai pour la mesure de l'efficacité et de la perte de charge des récupérateurs de chaleur des eaux grises	9.36.4.7. 3)
CSA	CSA B55.2	Récupérateurs de chaleur des eaux grises	9.36.4.7. 2)

b) par adjonction, après l'entrée « NFPA 214-2005 Water-Cooling Towers », de ce qui suit :

NFPA	720-2009	Standard for the Installation of Carbon Monoxide (CO) and Warning Equipment	6.2.4.1. 6)a) 9.10.19.8. 1)a)
------	----------	---	----------------------------------

2(2.1) L'article 3.1.2.5. est remplacé par ce qui suit :**3.1.2.5. Maisons de convalescence, centres d'hébergement pour enfants et établissements de soins de type résidence supervisée**

1) Les maisons de convalescence et les centres d'hébergement pour enfants peuvent être considérés comme une *habitation* pour l'application de la partie 3, à condition que les occupants puissent se déplacer et soient regroupés dans une même *suite* où peuvent dormir au plus 10 personnes.

2) Sous réserve du paragraphe 3), les *établissements de soins de type résidence supervisée* sont considérés comme des *établissements de soins* (groupe B, division 3) et doivent être conformes aux exigences qui s'y appliquent.

3) Les *établissements de soins de type résidence* sont considérés comme des *habitations* (groupe C) et doivent être conformes aux exigences qui s'y appliquent, à condition qu'au maximum 10 *personnes recevant des soins en résidence* habitent dans le *bâtiment*. Le *bâtiment* doit répondre à l'une ou l'autre des exigences suivantes :

- a) il est *protégé par gicleurs*;
- b) dans le cas contraire, le responsable des permis, au sens de la *Loi sur les services sociaux*, ou le Directeur, au sens de la *Loi sur les services à l'enfant et à la famille*, estime, à la suite d'une évaluation des risques, qu'il n'est pas nécessaire que le *bâtiment* soit *protégé par gicleurs*.

2(3) Le paragraphe 3.2.4.1. 5) est remplacé par ce qui suit :

5) Il n'est pas obligatoire d'installer un système d'alarme incendie dans un *bâtiment* abritant au plus quatre *logements* et n'ayant aucun autre *usage*.

2(4) Le paragraphe 3.2.4.1. 6) est abrogé.**2(5) Le paragraphe 3.2.4.11. 2) est modifié par suppression de « et » à la fin de l'alinéa e), par adjonction de « et » à la fin de l'alinéa f) et par adjonction, après l'alinéa f), de ce qui suit :**

- g) dans les *suites* et les pièces qui ne sont pas situées dans les *suites* se trouvant dans les parties d'un *bâtiment* dont l'*usage principal* est du groupe C (voir l'article 3.2.4.21. pour les *avertisseurs de fumée*).

2(6) [Abrogé] R.M. 175/2012**2(6.1) Le paragraphe 3.2.4.20. 1) est remplacé par ce qui suit :**

1) Outre des avertisseurs sonores, des avertisseurs visuels doivent être installés dans tous les *bâtiments*.

2(6.2) L'article 3.2.5.12. est modifié :

a) dans le paragraphe 2), par suppression, à la fin de l'alinéa a), de « ou », par adjonction, à la fin de l'alinéa b), de « ou » et par adjonction, après cet alinéa, de ce qui suit :

- c) dans un *établissement de soins* qui n'est pas en cours de construction, qui abrite au plus 25 occupants ou *personnes recevant des soins en résidence* et qui a une *hauteur de bâtiment* d'au plus 3 étages.

b) par substitution, aux alinéas 3)a) et b), de ce qui suit :

- a) dans une *habitation* qui contient au plus 2 *logements* et dans laquelle ne résident pas des *personnes recevant des soins en résidence*; ou
- b) dans un *établissement de soins* ou dans une *habitation*, à condition :
 - i) qu'il contienne au plus 2 *suites d'établissement de soins* ou d'*habitation*,
 - ii) qu'il abrite au plus 4 résidents ou *personnes recevant des soins en résidence*,
 - iii) qu'il puisse assurer une alimentation en eau pendant 30 min.

2(7) Les alinéas 3.3.1.7. 1) d) et e) sont remplacés par ce qui suit :

- d) avoir des *issues* extérieures qui sont toutes au *niveau moyen du sol*; ou
- e) avoir une rampe conduisant au *niveau moyen du sol* à chaque *issue*.

2(8) Le paragraphe 3.3.1.9. 3) est remplacé par ce qui suit :

3) Sous réserve du paragraphe 4), les obstacles situés à moins de 1980 mm du plancher ne doivent pas empiéter plus de 100 mm horizontalement sur un passage d'*issue*, un *corridor commun*, un corridor utilisé par le public ou un corridor desservant des salles de classe ou des chambres de patients.

2(9) Le paragraphe 3.3.1.9. 4) est remplacé par ce qui suit :

4) Les obstacles mentionnés au paragraphe 3) peuvent empiéter de plus de 100 mm horizontalement s'ils se terminent au plancher fini.

2(10) Le paragraphe 3.3.1.9. 7) est remplacé par ce qui suit :

7) Sauf s'il est entièrement situé à l'intérieur d'une *suite* et sous réserve des paragraphes 3.3.3.3. 1) et 3.3.4.4. 6), un corridor en impasse doit mesurer au plus 6 m de longueur et offrir une largeur libre minimale de 1500 mm sur toute sa longueur.

2(11) Le tableau 3.4.3.2.A. est modifié :

a) par substitution, à « Escaliers, en mm », de « Escaliers, en mm⁽³⁾ »;

b) par adjonction, après la dernière note suivant le tableau, de ce qui suit :

⁽³⁾ L'espacement mesuré entre les mains courantes ou entre les surfaces intérieures des *garde-corps*, selon la mesure la plus petite.

2(12) Le tableau 3.4.3.2.B. est modifié :

a) par substitution, à « Escaliers, en mm », de « Escaliers, en mm⁽⁴⁾ »;

b) par adjonction, après la dernière note suivant le tableau, de ce qui suit:

⁽⁴⁾ L'espacement mesuré entre les mains courantes ou entre les surfaces intérieures des *garde-corps*, selon la mesure la plus petite.

2(13) Le paragraphe 3.4.3.3. 4) est abrogé.**2(14) L'article 3.4.6.1. est modifié :**

a) par substitution, à l'alinéa 1)b), de ce qui suit :

b) doivent être de couleur et de texture contrastante de manière à ce que le bord des marches, le nez, le bord du *palier* ou le début et la fin des rampes se démarquent.

b) par adjonction, après le paragraphe 2), de ce qui suit :

3) Les surfaces horizontales et verticales des marches doivent être de couleur et de texture contrastantes de celles du nez des marches.

2(15) Le paragraphe 3.4.6.5. 1) est remplacé par ce qui suit :

1) Les escaliers et les rampes doivent être munis d'une main courante de chaque côté et cette dernière est incluse dans la détermination des dimensions mentionnées au paragraphe 3.4.3.2. 8).

2(16) Le paragraphe 3.4.6.5. 8) est remplacé par ce qui suit :

8) Sauf lorsqu'elles sont interrompues par des balustres aux changements de direction ou par des baies de portes, les mains courantes doivent être continues sur toute la longueur de l'escalier ou de la rampe, y compris les *paliers* (voir l'annexe A).

2(17) Le paragraphe 3.4.6.7. 1) est remplacé par ce qui suit :

1) La pente maximale des rampes à l'intention des *piétons* doit être de 1 : 12 dans tous les établissements.

2(18) L'article 3.4.6.9. est modifié :**a) par substitution, au paragraphe 1), de ce qui suit :**

1) Les escaliers tournants ne constituent pas un *moyen d'évacuation*.

b) dans le passage introductif du paragraphe 2), par substitution, à « est utilisé comme *issue* », de « n'est pas une *issue* exigée ».

2(19) L'article 3.4.6.11. est remplacé par ce qui suit :**3.4.6.11. Portes**

1) L'extrémité d'une porte, dans son débattement, ne doit pas arriver à moins de 600 mm d'une contremarche.

2) Les portes d'*issues* doivent être clairement identifiées (voir l'annexe A).

3) Les portes à deux vantaux doivent posséder un ventail d'au moins 850 mm de largeur.

2(20) L'alinéa 3.4.6.16. 4)g) est remplacé par ce qui suit :

g) que la porte d'*issue* comporte une affiche permanente lisible indiquant que le mécanisme de verrouillage se neutralise en moins de 15 secondes lorsqu'on applique une pression sur le dispositif d'ouverture de la porte;

Les alinéas e), f) et g) ne s'appliquent pas aux *usages* du groupe B, division 2, 3 ou 4 lorsque la sécurité des patients pourrait être compromise par des *moyens d'évacuation* non contrôlés (voir l'annexe A).

2(21) Les paragraphes 3.8.1.2. 1), 2) et 4) sont remplacés par ce qui suit :

1) Sous réserve du paragraphe 2), les *entrées piétonnes* d'un *bâtiment* visé au paragraphe 3.8.1.1. 1) doivent être *sans obstacles* et donner :

a) sur l'extérieur au niveau du trottoir; ou

b) sur une rampe conforme à l'article 3.8.3.4. menant à un trottoir.

2) Si un *bâtiment* existant fait l'objet de *transformations* et qu'il n'est pas pratique de se conformer aux exigences du paragraphe 1) à l'égard de toutes les entrées visées, au moins une *entrée piétonne* doit être *sans obstacles*.

4) Les portes qui se situent à chaque extrémité d'une série de portes sont conçues en conformité avec l'article 3.8.3.3.

2(22) L'article 3.8.1.3. est modifié :

a) dans le paragraphe 1), par substitution, à « 920 mm », de « 1 100 mm et doit être sans obstacles en conformité avec les exigences des paragraphes 3.3.1.9. 3) et 4) »;

b) par adjonction, après l'alinéa 2)e), de ce qui suit :

- f) doivent avoir, lorsque la variation de l'élévation est supérieure à 225 mm, des surfaces d'avertissement détectables :
 - i) dont la couleur, la texture, la fermeté et la résonance diffèrent des surfaces avoisinantes;
 - ii) de la même largeur que les escaliers ou la rampe;
 - iii) si la surface est une marche, dont la profondeur minimale est de 900 mm, depuis le fond de la marche jusqu'à son nez.

2(23) L'article 3.8.2.1. est remplacé par ce qui suit :

3.8.2.1 Aires où un parcours sans obstacles est exigé

1) Sous réserve des paragraphes 2) et 3), il faut aménager des parcours *sans obstacles* depuis les entrées devant être *sans obstacles* conformément aux paragraphes 3.8.1.2. 1) et 2) jusqu'à chacune des *issues* du *bâtiment* (voir l'article 3.3.1.7. pour des exigences supplémentaires en ce qui concerne les *aires de plancher* au-dessus ou au-dessous du *premier étage* pour lesquelles un parcours *sans obstacles* est exigé).

2) Un parcours *sans obstacles* n'est pas exigé :

- a) pour les *locaux techniques*;
- b) pour les locaux de machinerie d'ascenseur;
- c) pour les *vides techniques*;
- d) pour les vides sanitaires;
- e) pour les *combles ou vides sous toit*;
- f) pour les *établissements industriels à risques très élevés*;
- g) pour les parties des *aires de plancher* d'un *établissement de réunion* qui sont pourvues de sièges fixes et qui ne se trouvent pas dans le parcours *sans obstacles* permettant d'accéder à des aires prévues pour les dispositifs d'aide à la mobilité;
- h) pour les niveaux de plancher d'une *suite d'habitation* qui ne sont pas au même niveau que l'entrée de la *suite*;

- i) à l'intérieur d'une *suite d'habitation* qui n'a pas été désignée par une *autorité compétente* pour être accessible aux personnes ayant une incapacité physique; et
- j) pour les parcours *sans obstacles* intérieurs qui ne sont pas des *moyens d'évacuation*.

3) Il n'est pas obligatoire que les parcours *sans obstacles* soient aménagés au-delà des *issues* des *aires de plancher* qui sont conformes aux alinéas 3.3.1.7. 1)a) à c).

4) Dans les *établissements de réunion*, le nombre de places accessibles dans les pièces ou les aires avec sièges fixes doit être conforme au tableau 3.8.2.1. (voir l'article 3.8.3.6. pour des exigences supplémentaires).

2(24) **Le tableau 3.8.2.1. est remplacé par ce qui suit :**

Tableau 3.8.2.1.
Nombre de places prévues pour les personnes qui utilisent un dispositif d'aide à la mobilité
Faisant partie intégrante du paragraphe 3.8.2.1. 4)

Nombre de sièges fixes	Nombre de places prévues pour les personnes qui utilisent un dispositif d'aide à la mobilité
jusqu'à 50	2
51 - 100	4
101 - 300	6
301 - 500	8
501 - 1 000	10
1 001 - 1 700	12
chaque tranche additionnelle d'au plus 700 sièges au-delà de 1700	deux places supplémentaires

2(25) **Le paragraphe 3.8.2.2. 3) est remplacé par ce qui suit :**

- 3) Toute zone extérieure d'arrivée et de départ de passagers doit :
 - a) comporter une allée d'accès d'au moins 2440 mm de largeur sur 7400 mm de longueur, adjacente et parallèle à l'espace prévu pour l'arrêt des véhicules;
 - b) comporter un bateau de trottoir s'il y a une différence de niveau entre l'allée d'accès et l'espace prévu pour l'arrêt des véhicules; et
 - c) avoir une hauteur de passage d'au moins 3600 mm au-dessus de l'espace prévu pour l'arrêt des véhicules et le long des parcours d'accès et de sortie des véhicules.

2(26) **L'article 3.8.2.3. est remplacé par ce qui suit :**

3.8.2.3 Salles de toilettes sans obstacles

1) Sous réserve du paragraphe 2), une salle de toilettes *sans obstacles* est exigée sur chaque *étage* d'un *bâtiment* de plusieurs *étages* où se trouvent des salles de toilettes destinées au public.

2) Une salle de toilette peut ne pas être conforme au paragraphe 1) :

a) si elle est située à l'intérieur d'une *suite* d'une *habitation*; ou

b) si la même *aire de plancher* comporte d'autres salles de toilettes *sans obstacles* à moins de 45 m.

3) Lorsqu'une ou plusieurs salles de toilettes sont exigées sur un *étage* d'un *établissement de réunion*, d'un *établissement de soins*, d'un établissement de traitements, d'un *établissement commercial* ou d'un *établissement d'affaires*, au moins une de ces salles doit avoir une salle de toilettes universelle.

4) Les salles de toilettes publiques situées sur un *étage* d'une *habitation* doivent avoir une salle de toilettes universelle.

5) Chaque *étage* d'un nouveau *bâtiment* où se trouvent des salles de toilettes destinées au public comprend au moins une salle de toilettes universelle conforme à l'article 3.8.3.12.

6) Une salle de toilettes universelle peut être :

a) remplacée par une cabine qui est non accessible dans une salle de toilettes pour hommes ou pour femmes si un *bâtiment* existant fait l'objet de *transformations*; et

b) installée au lieu d'une salle de toilettes pour hommes ou pour femmes dans un petit *bâtiment* gouvernemental qui nécessite deux salles de toilettes, une par sexe.

7) Si une seule salle de toilettes est exigée en conformité avec l'article 3.7.2.2., elle doit se conformer à l'article 3.8.3.12.

2(27) **Les articles 3.8.3.1. et 3.8.3.2. sont remplacés par ce qui suit :**

3.8.3.1. Signalisation

1) L'emplacement des installations *sans obstacles* doit être indiqué au moyen du pictogramme international d'accessibilité.

2) La signalisation qui identifie les salles doit comprendre :

a) au moins une affiche dont le centre est à 1350 mm du plancher fini et à 150 mm du montant de porte du côté gâche;

b) un espace dégagé *sans obstacles* et sans saillies directement devant l'affiche d'au moins 1500 mm de longueur sur 900 mm de largeur; et

c) du texte en relief, des graphiques et du braille appropriés.

3) Les panneaux indicateurs :

a) fournissent des renseignements aux entrées, salles de toilettes et installations non accessibles permettant au public de trouver les aménagements accessibles;

- b) doivent avoir au moins une affiche dont le centre est à 1350 mm du plancher fini;
- c) doivent avoir un espace dégagé *sans obstacles* et sans saillies directement devant l'affiche d'au moins 1500 mm de longueur sur 900 mm de largeur; et
- d) comprendre du texte en relief, des graphiques et du braille appropriés.

4) L'emplacement des aménagements disponibles pour les personnes ayant une incapacité auditive doit être signalé au moyen d'un pictogramme correspondant (voir l'annexe A).

3.8.3.2. Allées extérieures

- 1) Les allées extérieures faisant partie d'un parcours *sans obstacles* doivent :
 - a) avoir une surface antidérapante, continue et unie;
 - b) offrir une largeur libre d'au moins 1200 mm, sauf dans le cas où une *allée piétonne* est au même niveau que les véhicules en mouvement et immédiatement adjacente à ceux-ci; dans ce cas, une largeur d'au moins 1500 mm est exigée;
 - c) être exemptes d'obstacles se trouvant au-dessus d'un parcours extérieur, de la surface de l'*allée piétonne* jusqu'à 2100 mm du *niveau moyen du sol*;
 - d) être muni d'un *espace de virage* ou d'une *voie de dépassement* de 1500 mm sur 1500 mm tous les 9 m; et
 - e) avoir un parcours qui est bien défini au moyen d'une couleur et d'une texture qui contrastent avec celles de la surface avoisinante.

2(28) L'article 3.8.3.3. est modifié :

a) par suppression du paragraphe 6);

b) par substitution, aux paragraphes 1) à 5) ainsi que 11) et 12), de ce qui suit :

1) Chaque baie de porte destinée au public doit offrir une largeur libre d'au moins 825 mm lorsque la porte est ouverte à un angle de 90°, la largeur étant mesurée à partir de la surface de la porte à la charnière jusqu'à la surface de l'arrêt de porte au montant de porte.

2) Dans une *suite* d'une *habitation*, la baie de porte d'au moins une salle de bain complète doit avoir une largeur libre d'au moins 825 mm lorsque la porte est ouverte à un angle de 90°, la largeur étant mesurée à partir de la surface de la porte à la charnière jusqu'à la surface de l'arrêt de porte au montant de porte (voir l'annexe A).

3) Les dispositifs d'ouverture de porte doivent être installés au plus 1 100 mm du plancher fini et pouvoir être actionnés d'un seul poing avec l'application d'une force minimale sans exiger une prise ferme ou une rotation du poignet (voir l'annexe A).

4) Les seuils des baies de portes mentionnées aux paragraphes 1) et 2) ne doivent pas être surélevés de plus de 13 mm par rapport à la surface du revêtement de sol et doivent être biseautés pour faciliter le passage des dispositifs d'aide à la mobilité.

5) Pour chaque *entrée piétonne* extérieure d'un *établissement de réunion*, d'un *établissement de soins*, d'un *établissement commercial* ou d'un *établissement d'affaires*, à une entrée d'une *habitation* ou à une salle de toilettes ayant plusieurs cabines, au moins une porte doit être équipée d'un mécanisme d'ouverture électrique permettant aux personnes d'ouvrir la porte d'un côté ou de l'autre.

5.1) Lorsqu'une entrée comprend plusieurs séries de portes, au moins une des séries de portes qui se situe à une extrémité doit être équipée d'un mécanisme d'ouverture électrique.

5.2) Les exigences qui suivent s'appliquent à toute porte devant être équipée d'un mécanisme d'ouverture électrique conformément au paragraphe 5) ou 5.1) :

- a) si le mécanisme est activé par un bouton-poussoir, ce dernier doit être :
 - i) situé à au moins 235 mm de la surface finie, mais à au plus 900 mm; et
 - ii) installé de manière à ce que le *piéton* qui utilise la porte ne soit pas affecté par son ouverture,
- b) dans le cas d'une porte oscillante située à une entrée extérieure, la porte doit avoir un *garde-corps* de couleur contrastante du côté de la charnière ainsi que des *garde-corps* horizontaux situés à 150 mm, à 600 mm et à 1 050 mm de la surface finie.

11) Les vestibules faisant partie d'un parcours *sans obstacles* doivent être conçus de manière à permettre le déplacement des dispositifs d'aide à la mobilité entre les portes et doivent avoir une distance libre, entre deux portes consécutives, d'au moins 1 500 mm en plus de la largeur de toute porte qui empiète sur le parcours entre les deux portes.

12) Les vestibules mentionnés au paragraphe 11) qui sont utilisés pour accéder à un puits d'escalier qui n'est pas une aire de refuge doivent avoir une distance libre, entre deux portes consécutives, d'au moins 1 200 mm en plus de la largeur de toute porte qui empiète sur le parcours entre les deux portes.

13) Au moins un des vantaux mesurant au moins 900 mm des portes à multiples vantaux doit avoir une ouverture libre de 825 mm.

2(29) Le paragraphe 3.8.3.4. 1) est remplacé par ce qui suit :

- 1) Les rampes doivent :
 - a) avoir une largeur libre d'au moins 900 mm entre les mains courantes ou entre les surfaces intérieures des *garde-corps* (voir la note A-3.4.3.4 de l'annexe A);
 - b) avoir une pente d'au plus 1 : 12 (voir l'annexe A);

- c) avoir un *palier* d'au moins 1500 mm sur 1500 mm au haut et au bas ainsi qu'aux niveaux intermédiaires des rampes conduisant à une porte, de façon à offrir, côté gâche, un dégagement :
 - i) d'au moins 600 mm si la porte s'ouvre en direction de la rampe; ou
 - ii) d'au moins 300 mm si la porte s'ouvre en direction opposée de la rampe;
- d) avoir les *paliers* qui suivent :
 - i) dans le cas d'une rampe qui mesure plus de 9 m de longueur, un *palier* d'au moins 1500 mm sur 1500 mm à des intervalles d'au plus 9 m le long de la rampe;
 - ii) dans le cas d'une rampe ayant un changement de direction supérieur à 90°, un *palier* d'au moins 1500 mm de largeur et d'au moins 1800 mm de longueur;
 - iii) dans le cas d'une rampe ayant un changement de direction de 90° ou moins, un *palier* d'au moins 1500 mm sur 1500 mm;
- e) avoir, sous réserve du paragraphe 2), des mains courantes et des *garde-corps* conformes aux articles 3.4.6.4. et 3.4.6.5; et
- f) être conçues en conformité avec l'alinéa 3.8.1.3. 2)f).

2(30) L'article 3.8.3.7. est remplacé par ce qui suit :

3.8.3.7 Appareils de sonorisation assistée

1) À l'intérieur d'un *établissement de réunion*, les salles de classe, les auditoriums, les salles de réunion et les *salles de spectacle* dont la surface excède 100 m² doivent être équipés d'un *système de sonorisation assistée* desservant tout l'espace occupé par des sièges.

2) Sous réserve du paragraphe 3), des *appareils de sonorisation assistée* doivent être offerts en conformité avec le tableau 3.8.3.7. dans chaque aire de réunion dans laquelle un *système de sonorisation assistée* est installé.

3) Lorsqu'un *bâtiment* a plus d'une aire de réunion et qu'au moins deux des aires qui doivent être équipés d'un *système de sonorisation assistée* sont contrôlées par la même personne, le nombre total d'*appareils de sonorisation assistée* exigé doit être calculé en fonction du nombre total de sièges dans ces aires, pourvu que tous les appareils soient utilisables dans toutes les aires.

Tableau 3.8.3.7.
Nombre minimal d'appareils de sonorisation assistée
 Faisant partie intégrante du paragraphe 3.8.3.7. 2)

Nombre de sièges dans une aire de réunion	Nombre minimal d'appareils de sonorisation assistée exigés	Nombre minimal d'appareils de sonorisation assistée qui doivent être compatibles avec des appareils auditifs ou des implants cochléaires
50 ou moins	2	2
de 51 à 200	2, plus 1 appareil additionnel par tranche ou par portion de 25 sièges au-delà de 50 sièges	2
de 201 à 500	2, plus 1 appareil additionnel par tranche ou par portion de 25 sièges au-delà de 50 sièges	1 par tranche ou par portion de 4
de 501 à 1000	2, plus 1 appareil additionnel par tranche ou par portion de 33 sièges au-delà de 500 sièges	1 par tranche ou par portion de 4
de 1001 à 2000	35, plus 1 appareil additionnel par tranche ou par portion de 50 sièges au-delà de 1000 sièges	1 par tranche ou par portion de 4
2001 et plus	55, plus 1 appareil additionnel par tranche ou par portion de 100 sièges au-delà de 2000 sièges	1 par tranche ou par portion de 4

2(31) Le paragraphe 3.8.3.8. 1) est modifié :

a) dans l'alinéa a), par substitution, à « 1500 mm de profondeur », de « 1600 mm de profondeur »;

b) dans le sous-alinéa b)ii), par substitution, à « 800 mm », de « 850 mm ».

2(32) Le paragraphe 3.8.3.9. 1) est remplacé par ce qui suit :

1) Lorsqu'une salle de toilettes *sans obstacles* est exigée conformément à l'article 3.8.2.3, au moins une de ses cabines de W.-C. doit avoir :

a) un abattant situé entre 400 mm et 460 mm au-dessus du plancher;

- b) une chasse d'eau à action manuelle facile ou actionnée automatiquement; et
- c) un dossier, comme un couvercle.

2(33) L'article 3.8.3.10. est remplacé par ce qui suit :

3.8.3.10. Urinoirs

- 1) S'il y a des urinoirs dans une salle de toilettes *sans obstacles*, au moins un urinoir doit être de type mural avec bordure située entre 488 et 512 mm du plancher.
- 2) Les urinoirs décrits au paragraphe 1) doivent :
 - a) avoir un accès dégagé de 850 mm de largeur centré sur l'urinoir;
 - b) être accessibles sans qu'on ait à monter une marche; et
 - c) comporter une barre d'appui :
 - i) fixée verticalement au mur arrière;
 - ii) de chaque côté et à au plus 380 mm de l'axe central de l'urinoir;
 - iii) d'au moins 600 mm de longueur et ayant son centre vertical à 950 mm au-dessus du plancher; et
 - iv) d'une couleur contrastante à celle du mur arrière.

2(34) L'article 3.8.3.11. est modifié par substitution, aux alinéas 1)e) et f) et au paragraphe 2), de ce qui suit :

- e) avec distributeur de savon actionné d'une seule main et :
 - i) qui est monté sur une surface; ou
 - ii) qui est monté sur le mur; dans ce cas, le distributeur de savon doit être situé près du lavabo et la partie actionnée doit être située à au plus 150 mm au-dessus du comptoir ou du rebord du lavabo; et
 - f) avec distributeur de serviettes ou appareil sèche-mains situé près du lavabo, à au plus 1200 mm au-dessus du plancher à un endroit ayant un espace dégagé d'au moins 900 mm de largeur sur 1200 mm de profondeur.
- 2) Les salles de toilettes *sans obstacles* doivent être équipées d'au moins un miroir qui doit être fixé au mur de façon que le bas du miroir ne soit pas à plus de 1000 mm du sol.

2(35) L'article 3.8.3.12. est modifié :

- a) par abrogation de l'alinéa 1)f);
- b) dans l'alinéa 1)i), par substitution, à « 1500 mm », de « 1700 mm »;
- c) par adjonction, après le paragraphe 1), de ce qui suit :

2) Les étages d'un bâtiment qui ne sont pas desservis par des escaliers mécaniques ou des trottoirs roulants inclinés doivent avoir une salle de toilettes universelle conforme à l'article 3.8.3.12. ou une salle de toilettes conforme à l'article 3.8.2.3.

2(36) Le paragraphe 3.8.3.13. 1) est modifié :

- a) dans l'alinéa b), par substitution, à « pas l'accès à la douche », de « ni l'accès à la douche, ni son utilisation »;
- b) par adjonction, après l'alinéa f), de ce qui suit :

f.1) une barre d'appui verticale qui est placée sur chaque mur latéral de la douche et qui est :

- i) conforme aux sous-alinéas 3.8.3.8. 1)d)iv), v) et vi) (voir l'annexe A);
- ii) d'au moins 900 mm de longueur;
- iii) fixée de sorte que le dessous de la barre d'appui est à au moins 700 mm et à au plus 800 mm du plancher;

- c) par substitution, à l'alinéa i), de ce qui suit :

- i) une tablette qu'une personne debout ou assise peut atteindre, située entre 800 mm et 1200 mm du plancher, pourvu qu'elle ne gêne ni l'accès à la douche, ni son utilisation.

2(37) Les articles 3.8.3.14. et 3.8.3.15. sont remplacés par ce qui suit :**3.8.3.14. Comptoirs**

1) Tous les comptoirs de service au public doivent avoir au moins une section *sans obstacles* d'au moins 800 mm de longueur, centrée au-dessus d'un dégagement conforme au paragraphe 3) (voir l'annexe A) (voir également la note A-3.8.2.1. de l'annexe A).

2) La surface d'un comptoir *sans obstacles* doit être à au plus 800 mm au-dessus du plancher.

3) Sous réserve du paragraphe 4), le dégagement sous un comptoir *sans obstacles* devant servir de plan de travail doit avoir au moins :

- a) 800 mm de largeur;
- b) 700 mm de hauteur;

c) 500 mm de profondeur.

4) Il n'est pas obligatoire de prévoir un dégagement sous les comptoirs utilisés dans les cafétérias, ou qui remplissent une fonction semblable, puisque les mouvements s'effectuent parallèlement au comptoir.

3.8.3.15. Tablettes ou comptoirs pour téléphones

1) Si des tablettes ou des comptoirs fixés à demeure sont prévus pour des téléphones publics, il doivent avoir une surface horizontale :

a) d'au moins 350 mm de profondeur; et

b) offrant, à l'emplacement de chaque téléphone, un dégagement d'au moins 500 mm de largeur sans encombrement sur 250 mm de hauteur au-dessus du comptoir.

2) La partie supérieure d'une tablette ou d'un comptoir conforme au paragraphe 1) qui dessert au moins un téléphone doit être située à une hauteur d'au plus 800 mm au-dessus du plancher.

3) Si un téléphone mural se trouve au-dessus d'une section de tablette ou de comptoir conforme au paragraphe 2), le combiné et la fente pour introduire des pièces de monnaie doivent être à au plus 1200 mm au-dessus du plancher.

2(37.1) Il est ajouté, après la section 3.9., ce qui suit :

Section 3.10. Exigences de sécurité incendie pour les bâtiments agricoles à faible occupation humaine

3.10.1. Objet

3.10.1.1. Objet

1) La présente section s'applique aux *bâtiments agricoles à faible occupation humaine* ou à une partie de tels *bâtiments*.

3.10.1.2. Aires de plancher

1) Tout *bâtiment agricole* ayant, pour le nombre d'*étages* indiqué à la première colonne du tableau 3.10.1.2., une *aire de plancher* supérieure aux valeurs correspondantes indiquées à la deuxième colonne doit être divisé en *compartiments résistants au feu* par des *séparations coupe-feu* verticales ayant un *degré de résistance au feu* d'au moins deux heures, de sorte que chaque compartiment ait, sur chaque *étage*, une *aire de plancher* inférieure à l'*aire de plancher* maximale indiquée à la deuxième colonne du tableau. La présente disposition ne s'applique toutefois pas aux serres.

Tableau 3.10.1.2.
Aire de plancher maximale pour les bâtiments agricoles à faible occupation humaine
Faisant partie intégrante de l'article 3.10.1.2.

Nombre d'étages	Aire de plancher
1	4800 m ²
2	2400 m ²
3	1600 m ²

2) Les bâtiments agricoles doivent, en totalité ou en partie, être isolés d'un usage conforme à la partie 3 ou à la partie 9 — à l'exception d'un autre bâtiment agricole visé à la section 3.10. — par une séparation coupe-feu ayant un degré de résistance au feu d'au moins une heure.

3) Un bureau se trouvant dans un bâtiment agricole et dont la surface de plancher globale correspond au plus à 10 % de l'aire de plancher de l'étage où il est situé n'est pas considéré comme étant un usage principal.

4) Dans les bâtiments agricoles, toute mezzanine constituant plus de 10 % de l'aire de plancher de l'étage dans lequel elle se trouve est considérée comme étant un étage distinct.

3.10.2. Distances limitatives

3.10.2.1. Généralités

1) Si les façades de rayonnement d'un bâtiment agricole sont situées à moins de 30 m d'une limite de propriété, de l'axe d'une voie de circulation publique ou d'un bâtiment autre qu'un bâtiment agricole à faible occupation humaine, les exigences de la sous-section 9.10.14. concernant les établissements industriels à risques moyens s'appliquent à ces façades. La présente disposition ne s'applique toutefois pas aux serres.

3.10.3. Coupe-feu dans les vides de construction

3.10.3.1. Emplacement

1) Il faut prévoir des coupe-feu au niveau des planchers, des plafonds et du toit pour obturer complètement tous les vides de construction entre étages et entre le dernier étage et le vide du sous toit, y compris les espaces remplis d'isolant en matelas, en vrac ou en mousse plastique.

3.10.3.2. Vides dans les murs et cloisons

1) La dimension verticale de tout vide de construction dans un mur ou dans une cloison de construction combustible ne doit pas dépasser 3 m et sa dimension horizontale ne doit pas dépasser 6 m.

3.10.3.3. Coupe-feu dans les vides de construction horizontaux

1) Les vides de construction horizontaux d'un comble ou d'un toit d'un *bâtiment agricole* doivent être divisés par une construction conforme à l'article 3.10.3.4. en compartiments d'au plus :

- a) 600 m² de surface, sans dimension supérieure à 60 m, si les matériaux de construction exposés à l'intérieur de ces vides ont un *indice de propagation de la flamme* d'au plus 25;
- b) 300 m² de surface, sans dimension supérieure à 20 m, si les matériaux de construction exposés à l'intérieur de ces vides ont un *indice de propagation de la flamme* supérieur à 25 et si la largeur du *bâtiment* ne dépasse pas 20 m;
- c) 300 m² de surface, la direction longitudinale du compartiment ne pouvant dépasser 15 m, si les matériaux de construction exposés à l'intérieur de ces vides ont un *indice de propagation de la flamme* supérieur à 25 et si la largeur du *bâtiment* mesure au moins 20 m mais moins de 30 m; ou
- d) 10 m dans la direction longitudinale de tout *bâtiment* dont la largeur dépasse 30 m, si les matériaux de construction exposés à l'intérieur de ces vides ont un *indice de propagation de la flamme* supérieur à 25.

3.10.3.4. Matériaux coupe-feu

1) Les matériaux utilisés pour diviser les vides de construction en compartiments doivent consister :

- a) en bois massif d'au moins 38 mm d'épaisseur;
- b) en deux épaisseurs de bois de construction d'au moins 19 mm chacune avec des joints décalés si une seule pièce de bois n'est pas suffisante en raison de la largeur ou de la hauteur du vide; ou
- c) en contreplaqué ou en panneaux de copeaux ou de copeaux orientés à liant phénolique, d'au moins 11 mm d'épaisseur, dont les joints sont supportés.

2) Les ouvertures dans les matériaux *coupe-feu* mentionnés au paragraphe 1) doivent être protégées afin que soit maintenue l'intégrité de la construction.

3) Si les matériaux *coupe-feu* mentionnés au paragraphe 1) sont traversés par des éléments de construction ou des installations techniques, des *coupe-feu* doivent être utilisés pour obturer les joints autour des ouvertures.

3.10.4. Réservoirs de combustible

3.10.4.1. Entreposage du combustible

1) Le combustible qui se trouve dans des *bâtiments agricoles* doit être entreposé conformément au *Code de prévention des incendies du Manitoba*, R.M. 155/2011.

3.10.5. Séparation coupe-feu

3.10.5.1. Degrés de résistance au feu

1) Sauf disposition contraire des paragraphes 3) et 4), dans les *bâtiments agricoles*, les *appareils* à combustion doivent être :

- a) situés dans un *local technique* ou un *vide technique* conçu à cet effet; et
- b) séparés du reste du *bâtiment agricole* par une *séparation coupe-feu* ayant un *degré de résistance au feu* d'au moins une heure.

2) Dans les *bâtiments agricoles*, les pièces utilisées pour le séchage des récoltes ou la réparation de la machinerie agricole doivent être séparées des autres *usages* par une *séparation coupe-feu* ayant un *degré de résistance au feu* d'au moins une heure.

3) Il n'est pas obligatoire que les *générateurs de chaleur*, les *appareils* de refroidissement et les *chauffe-eau* à combustion d'un *bâtiment agricole* soient séparés du reste du *bâtiment* comme le prévoit l'alinéa 1)b) si l'installation a été conçue pour cette utilisation et dessert une pièce ou une *suite* au plus.

4) Les *locaux techniques* contenant un incinérateur doivent être séparés du reste du *bâtiment agricole* par une *séparation coupe-feu* ayant un *degré de résistance au feu* d'au moins une heure.

3.10.6. Protection de l'isolant de mousse plastique

3.10.6.1. Protection de l'isolant combustible

1) Dans les *bâtiments agricoles*, les mousses plastiques doivent être protégées du côté intérieur conformément à l'article 9.10.17.10.

2) Le présent article ne s'applique pas aux installations horticoles à humidité élevée qui sont inoccupées et dans lesquelles des produits agricoles sont entreposés.

3.10.7. Moyens d'évacuation et issues

3.10.7.1. Nombre d'issues

1) Chaque *étage* d'un *bâtiment agricole* doit être desservi par au moins deux *issues* (soit des portes donnant sur l'extérieur) aussi éloignées que possible l'une de l'autre aux extrémités opposées du *bâtiment*.

3.10.7.2. Types d'issues

- 1) Les *issues* des *bâtiments agricoles* doivent comporter :
 - a) des portes donnant sur l'extérieur;
 - b) sous réserve de l'article 3.10.7.3., des passages extérieurs d'*issue*;

- c) des rampes extérieures;
- d) des escaliers extérieurs;
- e) des sorties de secours conformes à la sous-section 3.4.7.;
- f) sous réserve de l'article 3.10.7.4., des *issues horizontales*; ou
- g) des fenêtres ou des panneaux ouvrants dont l'ouverture mesure au moins 900 sur 900 mm, le bas de l'ouverture devant se trouver à une distance maximale de 1,5 m au-dessus du niveau du plancher.

3.10.7.3. Passages extérieurs d'issue

1) Dans les *bâtiments agricoles*, des portes d'*issue* situées au niveau du plancher doivent permettre l'accès aux passages extérieurs d'*issue*.

3.10.7.4. Usage restreint des issues horizontales

1) Les *issues horizontales* ne doivent pas représenter plus de la moitié du nombre exigé d'*issues* dans les *bâtiments agricoles*.

3.10.7.5. Emplacement

1) Les *issues* mentionnées à l'article 3.10.7.2. doivent être situées et disposées de façon qu'elles soient bien visibles ou leur emplacement doit être clairement indiqué.

2) Les *issues* mentionnées à l'article 3.10.7.2. doivent être accessibles en tout temps.

3.10.7.6. Distance de parcours à une issue

1) Dans les *bâtiments agricoles*, la distance de parcours à une *issue* ne doit pas dépasser 45 m.

2) Le paragraphe 1) ne s'applique pas si les *issues* sont placées le long du périmètre et si la distance qui les sépare, mesurée le long du périmètre, ne dépasse pas 60 m.

3.10.7.7. Sens d'ouverture des portes

1) Dans les *bâtiments agricoles*, les portes d'*issue* qui pivotent vers l'intérieur sur leur axe doivent comporter une affiche, fixée à au plus 1,5 m au-dessus du niveau du plancher, indiquant le sens d'ouverture.

3.10.7.8. Escaliers et échelles de sortie au-dessus du niveau du sol ou du plancher

1) Pour toute porte donnant sur l'extérieur qui sert d'*issue* dans un *bâtiment agricole*, il faut prévoir :

- a) des marches intérieures si le seuil de la porte se trouve à plus de 600 mm au-dessus du niveau du plancher; et

- b) des marches extérieures si le seuil de la porte se trouve à plus de 600 mm au-dessus du niveau du sol.
- 2)** Malgré le paragraphe 1), pour toute porte donnant sur l'extérieur qui constitue l'une des *issues* qu'exige le paragraphe 3.10.7.1. 1), il faut prévoir :
- a) des marches intérieures si le seuil de la porte se trouve à plus de 300 mm au-dessus du niveau du plancher; et
 - b) des marches extérieures si le seuil de la porte se trouve à plus de 300 mm au-dessus du niveau du sol.
- 3)** Pour toute *issue* visée à l'alinéa 3.10.7.2. 1)g), il faut prévoir des marches si le bas de l'ouverture se trouve à plus de 600 mm au-dessus du niveau du sol.
- 4)** Malgré le paragraphe 3), toute *issue* visée à l'alinéa 3.10.7.2. 1)g) peut être desservie par une échelle installée de façon permanente à l'extérieur conformément à la sous-section 3.10.8. si le bas de l'ouverture se trouve à plus de 2,5 m au-dessus du niveau du sol.

3.10.8. Échelles

3.10.8.1. Charge de calcul

1) Dans les *bâtiments agricoles*, les échelles installées de façon permanente et leurs fixations aux *bâtiments* doivent être conçues pour résister à une charge concentrée de 1,0 kN appliquée de manière à produire la contrainte la plus critique sur l'élément en question.

3.10.8.2. Bas des échelles au-dessus du niveau du sol

1) Le bas des échelles installées de façon permanente pour servir d'*issue* conformément au paragraphe 3.10.7.2. 1) ne doit pas être à plus de 1,5 m ni à moins de 1,0 m du sol.

3.10.8.3. Dégagement derrière les barreaux, marches ou tasseaux

1) Il faut prévoir un dégagement d'au moins 175 mm derrière les barreaux, marches ou tasseaux des échelles installées de façon permanente dans les *bâtiments agricoles*.

3.10.8.4. Espacement des barreaux, marches ou tasseaux

1) L'espacement des barreaux, marches ou tasseaux d'une échelle d'un *bâtiment agricole* doit être uniforme et ne doit pas dépasser 300 mm.

3.10.8.5. Distance entre les montants d'une échelle

1) La distance entre les deux montants d'une échelle d'un *bâtiment agricole* ne doit pas être inférieure à 250 mm.

3.10.8.6. Cage protectrice

1) Dans les *bâtiments agricoles*, une cage protectrice fixe doit entourer toute échelle permanente de plus de 6 m de hauteur à partir d'au plus 3 m du bas de l'échelle.

3.10.9. Sécurité incendie des bâtiments**3.10.9.1. Éclairage de sécurité**

1) Sauf disposition contraire du paragraphe 3), un système d'éclairage de sécurité doit être installé dans les *bâtiments agricoles* et fournir un éclairage moyen d'au moins 10 lx au niveau du plancher ou des marches d'escalier dans :

- a) les *issues*;
- b) les principales voies d'accès à l'*issue* d'une *aire de plancher*; et
- c) les *locaux techniques*.

2) L'éclairage minimal exigé au paragraphe 1) ne doit pas être inférieur à 1 lx.

3) Les *bâtiments agricoles* utilisés pour l'élevage de la volaille et la production d'œufs ne nécessitent pas de systèmes d'éclairage de sécurité dans les endroits consacrés à ces fins.

3.10.9.2. Alimentation électrique de secours pour l'éclairage

1) Les *bâtiments agricoles* doivent être dotés d'une alimentation électrique indépendante (assurée notamment à l'aide d'accumulateurs ou d'un groupe électrogène) qui :

- a) est en mesure de fournir l'éclairage de sécurité exigé à l'article 3.10.9.1. pendant au moins 30 minutes en cas de panne de la source normale d'alimentation des *bâtiments agricoles*; et
- b) est conçue et installée de manière à satisfaire automatiquement, en cas de panne de la source normale d'alimentation, aux besoins en électricité pour l'éclairage de sécurité.

2) Les appareils d'éclairage de sécurité autonomes doivent être conformes à la norme CSA C22.2 n° 141, « Emergency Lighting Equipment ».

3.10.10. Mesures de lutte contre l'incendie**3.10.10.1. Route d'accès**

1) Des routes toutes saisons doivent mener aux *bâtiments agricoles* pour que les services de lutte contre l'incendie puissent y avoir accès.

3.10.10.2. Extincteurs portatifs

1) Des extincteurs portatifs doivent être fournis et installés conformément au *Code de prévention des incendies du Manitoba, R.M. 155/2011*.

2(38) L'alinéa 4.1.5.14. 1)a) est remplacé par ce qui suit :

a) 3,0 kN/m, pour les *moyens d'évacuation* des tribunes, des stades, des gradins, des arénas et des aires d'observation à ciel ouvert,

2(39) Le paragraphe 4.1.8.4. 7) est remplacé par ce qui suit :

7) Pour l'application du paragraphe 4.1.8.1. 1), la valeur de $S_a(0,2)$ au Manitoba est réputée être égale à zéro.

2(40) Le paragraphe 4.2.2.3. 1) est modifié par substitution, à « dûment qualifiée », de « qualifiée dont il a la responsabilité ».**2(41) Le paragraphe 4.2.5.4. 1) est modifié par adjonction, après « réalisée », de « par un ingénieur ».****2(42) Le paragraphe 5.1.4.1. 5) est remplacé par ce qui suit :**

5) Les matériaux, composants et ensembles de construction séparant des milieux différents et les ensembles de construction exposés au milieu extérieur, y compris leurs assemblages, qui sont soumis à des charges structurales :

- a) doivent transférer ces charges à la structure du *bâtiment* sans nuire à la performance des autres matériaux, composants ou ensembles de construction;
- b) ne doivent pas présenter de déformation de manière à nuire à la performance des autres matériaux, composants ou ensembles de construction;
- c) doivent être conçus, et construits selon cette conception, de façon à s'adapter aux mouvements relatifs maximaux raisonnablement prévisibles de la structure et aux tolérances de construction raisonnablement prévisibles.

2(43) Le paragraphe 5.2.2.1. 2) est remplacé par ce qui suit :

2) Les charges structurales indiquées au paragraphe 1) et les effets connexes comprennent :

- a) les *charges permanentes* transférées des éléments structuraux;
- b) les charges dues au vent, à la neige, à la pluie et aux pressions hydrostatiques ou terrestres;
- c) les *surcharges* dues à l'usage;

- d) les charges dues aux dilatations et contractions provoquées par les variations thermiques ou hygrothermiques, à la déformation, au fluage, au retrait, au tassement et au mouvement différentiel.

2(44) Le paragraphe 6.2.4.1. 2) est modifié par adjonction, après l'alinéa d), de ce qui suit :

- e) être raccordés aux *avertisseurs de fumée* si ces derniers sont exigés en vertu de l'article 3.2.4.21.

2(45) Il est ajouté, après l'article 6.2.4.1., ce qui suit :

6.2.4.2. Avertisseurs de monoxyde de carbone — autres usages

1) Les *bâtiments* qui sont visés par la présente partie, mais qui ne sont pas visés par l'article 6.2.4.1. doivent être munis d'avertisseurs de monoxyde de carbone qui sont :

- a) installés conformément à la norme NFPA-720, « Standard for the Installation of Carbon Monoxide (CO) Detection and Warning Equipment »;
- b) raccordés aux *avertisseurs de fumée* si ces derniers sont exigés conformément à l'article 3.2.4.1.

2(46) L'article 9.3.1.3. est remplacé par ce qui suit :

9.3.1.3. Béton en contact avec des sulfates

1) Sauf disposition contraire du paragraphe 2), le béton en contact avec un sol chargé en sulfates agressifs pour le ciment Portland normal doit répondre aux exigences de l'article 16 de la norme CAN3-A23.1, « Béton : Constituants et exécution des travaux ».

2) Sauf dans le cas de *fondations profondes*, il n'est pas obligatoire d'utiliser du béton résistant aux sulfates dans les semelles, les poutres au *niveau moyen du sol*, les murs de *fondation* ou les murs de *sous-sol* mentionnés à l'article 9.15.2.5., à moins qu'un *ingénieur* responsable de l'étude de *fondation* ne l'exige.

2(47) [Abrogé] R.M. 52/2015

2(47.1) L'article 9.10.2.2. est remplacé par ce qui suit :

9.10.2.2. Maisons de convalescence, centres d'hébergement pour enfants et établissements de soins de type résidence supervisée

1) Il est permis de classer comme *habitations* (groupe C) les *logements* utilisés comme centres d'hébergement pour enfants ou maisons de convalescence pour personnes ambulatoires, à condition que ces *logements* n'hébergent qu'un maximum de 10 personnes.

2) Sous réserve des paragraphes 3) à 12), les *établissements de soins de type résidence supervisée* sont considérés comme des *habitations* (groupe C) et doivent être conformes aux exigences qui s'y appliquent.

3) Les *établissements de soins de type résidence supervisée* doivent être équipés d'un éclairage de secours conforme à l'article 9.9.12.3.

4) Des extincteurs portatifs doivent être installés dans les *établissements de soins de type résidence supervisée* conformément au *Code de prévention des incendies du Manitoba, R.M. 155/2011*.

5) Une signalisation d'issue conforme aux paragraphes 9.9.11.3. 2) à 5) doit se trouver au-dessus ou à côté de toute porte d'issue d'un *établissement de soins de type résidence supervisée* où habitent plus de quatre *personnes recevant des soins en résidence* doit comporter.

6) Dans un *établissement de soins de type résidence supervisée* :

- a) le *premier étage* doit être desservi par au moins deux *moyens d'évacuation* éloignés l'un de l'autre;
- b) toutes les *aires de plancher*, y compris le *sous-sol*, doivent être desservis par au moins deux *moyens d'évacuation* éloignés l'un de l'autre.

7) Malgré l'alinéa 6)b), une *aire de plancher* qui se trouve dans un *établissement de soins de type résidence supervisée* et qui est conforme aux exigences du tableau 9.10.2.2. peut être desservie par un seul *moyen d'évacuation*.

8) Tout *établissement de soins de type résidence supervisée* doit être protégé par *gicleurs*, sauf dans le cas suivant :

- a) il n'est pas en cours de construction;
- b) il n'héberge pas plus de quatre *personnes recevant des soins en résidence*;
- c) le responsable des permis, au sens de la *Loi sur les services sociaux*, ou le Directeur, au sens de la *Loi sur les services à l'enfant et à la famille*, estime, à la suite d'une évaluation des risques, qu'il n'est pas nécessaire que le *bâtiment* soit protégé par *gicleurs*.

9) Le paragraphe 9.10.18.2. 1) ne s'applique pas aux *établissements de soins de type résidence supervisée*.

10) Tout système d'extinction automatique installé dans un *établissement de soins de type résidence supervisée* où se trouve aucun réseau avertisseur d'incendie doit être muni d'une alarme de débit d'eau surveillée.

11) Si un *établissement de soins de type résidence supervisée* est en cours de construction, tous les *locaux techniques* doivent être isolés du reste du *bâtiment* par des *séparations coupe-feu* ayant un *degré de résistance au feu* d'au moins une heure.

12) Le paragraphe 3.4.6.16. 4) s'applique aux *établissements de soins de type résidence supervisée*.

Tableau 9.10.2.2.
Exemption — deuxième moyen d'évacuation depuis les aires de plancher
 Faisant partie intégrante du paragraphe 9.10.2.2. 7)

<i>Aire de plancher</i>	Genre de bâtiment	Condition — exemption à l'obligation d'installer un deuxième moyen d'évacuation depuis les aires de plancher
<i>Aires de plancher au-dessus du premier étage ou toutes les aires de plancher du sous-sol</i>	N'importe lequel	<i>L'aire de plancher</i> n'est utilisée que pour les installations techniques, le lavage et l'entreposage.
<i>Aires de plancher au-dessus du premier étage</i>	<i>Bâtiment nouvellement construit et protégé par gicleurs</i>	<p>Chaque chambre à coucher située dans <i>l'aire de plancher</i> doit être conforme à l'une ou l'autre des exigences suivantes :</p> <ul style="list-style-type: none"> a) elle est attenante à un balcon auquel une porte pleine grandeur permet l'accès; b) elle est munie d'au moins une fenêtre qui est conforme à l'exigence suivante : <ul style="list-style-type: none"> i) elle est désignée en permanence comme une sortie de secours, ii) elle s'ouvre de l'intérieur sans qu'il soit nécessaire d'avoir des clés, des outils ou des connaissances spécialisées et d'enlever un châssis de fenêtre ou des pièces de quincaillerie, iii) elle a une ouverture libre d'au moins 0,53 m², chaque dimension étant d'au moins 508 mm, iv) l'ouverture exigée est maintenue sans moyen de support supplémentaire en cas de sinistre, v) si l'appui de fenêtre est à plus de 900 mm au-dessus du plancher, l'accès à la fenêtre est assuré par un escalier intérieur et un palier dont la partie supérieure est à moins de 900 mm sous l'appui.

	<p>Le <i>bâtiment</i> n'est pas en cours de construction et il est conforme à l'une ou l'autre des exigences suivantes :</p> <p>a) il est <i>protégé par gicleurs</i>;</p> <p>b) il n'héberge pas plus de quatre <i>personnes recevant des soins en résidence</i>.</p>	<p>Chaque chambre à coucher située dans une <i>aire de plancher</i> doit être conforme à l'une ou l'autre des exigences suivantes :</p> <p>a) elle est attenante à un balcon auquel une porte pleine grandeur permet l'accès;</p> <p>b) elle est munie d'au moins une fenêtre qui est conforme à l'exigence suivante :</p> <p>i) elle est désignée en permanence comme une sortie de secours,</p> <p>ii) elle s'ouvre de l'intérieur sans qu'il soit nécessaire d'avoir des clés, des outils ou des connaissances spécialisées et enlever un châssis de fenêtre ou des pièces de quincaillerie,</p> <p>iii) elle a une ouverture libre d'au moins 0,35 m², chaque dimension étant d'au moins 380 mm,</p> <p>iv) l'ouverture exigée est maintenue sans moyen de support supplémentaire en cas de sinistre,</p> <p>v) si l'appui de fenêtre est à plus de 900 mm au-dessus du plancher, l'accès à la fenêtre est assuré par un escalier intérieur et un palier dont la partie supérieure est à moins de 900 mm sous l'appui.</p>
--	--	---

Aires de plancher du sous-sol	Le bâtiment n'est pas en cours de construction	<p>Les deux exigences suivantes doivent être remplies :</p> <p>a) l'accès au <i>sous-sol</i> est assuré par un soupirail qui est conforme aux exigences suivantes :</p> <p>i) il est situé à un endroit pratique et clairement visible,</p> <p>ii) il est entièrement au-dessus du niveau du sol, sauf que l'appui peut être jusqu'à 150 mm au-dessous du niveau du sol si un encadrement assure un dégagement minimal de 550 mm devant le soupirail et le fonctionnement du châssis ne réduit pas le dégagement de manière à rendre l'évacuation difficile en cas de sinistre,</p> <p>iii) le soupirail :</p> <p>A) peut être ouvert,</p> <p>B) est articulé de manière à s'ouvrir sur son axe vertical,</p> <p>C) a une ouverture libre d'au moins 0,385 m², chaque dimension étant d'au moins 500 mm,</p> <p>iv) si l'appui est à plus de 900 mm au-dessus du plancher, l'accès au soupirail est assuré par un escalier intérieur et un palier dont la partie supérieure est à moins de 900 mm sous l'appui;</p> <p>b) les occupants sont capables de sortir du <i>bâtiment</i> en toute sécurité par eux-mêmes en cas d'incendie ou de tout autre danger grave.</p>
-------------------------------	--	--

2(48) Le paragraphe 9.10.9.16. 3) est remplacé par ce qui suit :

3) Un *garage de stationnement* qui dessert uniquement le *logement* auquel il est incorporé ou contigu en fait partie intégrante et :

- a) doit être isolé des parties de *bâtiment* qui ont un autre *usage* par une construction verticale ayant un *degré de résistance au feu* d'au moins 45 min;
- b) doit, le cas échéant, être isolé de toute partie de *bâtiment* qui a un autre *usage* et qui est située au-dessus de lui par une construction ayant un *degré de résistance au feu* d'au moins une heure.

2(49) Le paragraphe 9.10.15.4. 3) est remplacé par ce qui suit :

3) Si la *distance limitative* est d'au plus 1,2 m, chaque baie vitrée ou groupe de baies vitrées dans une *façade de rayonnement* ne doit pas être plus grand que 60 % de la surface globale maximale admise des baies vitrées déterminée au paragraphe 1) pourvu que l'extérieur de la *façade de rayonnement* de ces *bâtiments* ait un recouvrement *incombustible*, à l'exception du premier mètre devant le *bâtiment*.

3.1) Le paragraphe 3) ne s'applique pas aux *bâtiments* qui sont *protégés par gicleurs* ni aux fenêtres ouvrantes dont la surface dégagée est égale à 0,35 m² et qui sont posées conformément aux paragraphes 9.9.10.1. 1) et 2).

2(49.1) Le paragraphe 9.10.15.5. 6) est modifié par substitution, à « à 10) », de « à 10.1) ».

2(49.2) Il est ajouté, après le paragraphe 9.10.15.5. 9), ce qui suit :

9.1) Les paragraphes 8) et 9) ne s'appliquent pas si la *façade de rayonnement*, à l'exception de la partie de celle-ci qui se trouve en deçà de 1 m du devant du *bâtiment*, est entièrement revêtue d'un revêtement *incombustible*.

2(49.3) Il est ajouté, après le paragraphe 9.10.15.5. 10), ce qui suit :

10.1) Le paragraphe 10) ne s'applique pas si la *façade de rayonnement* en-dessous du soffite de toit, à l'exception de la partie de celle-ci qui se trouve en deçà de 1 m du devant du *bâtiment*, est entièrement revêtue d'un revêtement *incombustible*.

2(50) Le paragraphe 9.10.18.2. 5) est remplacé par ce qui suit :

5) Il n'est pas obligatoire d'installer un système d'alarme incendie dans un *bâtiment* abritant au plus quatre *logements* et n'ayant aucun autre *usage*.

2(51) La sous-section 9.10.19. est modifiée :

a) dans le titre, par adjonction, à la fin, de « et de monoxyde de carbone »;

b) par adjonction, à la fin, de ce qui suit :

9.10.19.8. Avertisseur de monoxyde de carbone exigé

1) Les *bâtiments* qui sont visés par la présente partie, mais qui ne sont pas visés par l'article 9.32.3.9. doivent être munis d'avertisseurs de monoxyde de carbone qui sont :

a) installés conformément à la norme NFPA-720, « Standard for the Installation of Carbon Monoxide (CO) Detection and Warning Equipment »;

b) raccordés aux *avertisseurs de fumée* si ces derniers sont exigés conformément à l'article 9.10.18.2.

2(52) Il est ajouté, après la sous-section 9.10.19., ce qui suit :

9.10.19.A. Détecteurs thermiques dans les garages de stationnement

9.10.19.A.1. Détecteurs thermiques exigés dans les garages de stationnement

- 1) Un détecteur thermique à fonctionnement thermostatique doit être installé dans chaque *garage de stationnement* incorporé ou contigu à un *logement*.
- 2) Le détecteur thermique visé au paragraphe 1) doit être :
 - a) installé sur le plafond du *garage de stationnement* ou, en l'absence de plafond, sur la partie inférieure d'une solive de plafond dans le *garage de stationnement*;
 - b) raccordé de façon permanente à un circuit électrique, aucun dispositif de sectionnement ne pouvant se trouver entre lui et le dispositif de protection contre les surintensités;
 - c) relié électriquement de façon à déclencher tous les *avertisseurs de fumée* devant être installés dans le *logement* conformément aux articles 9.10.19.1. et 9.10.19.2. dès qu'il est déclenché.

2(53) L'alinéa 9.12.2.2. 7)c) est remplacé par ce qui suit :

- c) dont la distance entre le sol fini et le dessous des solives de plancher ne dépasse pas 1300 mm, pour autant que les supports soient munis de dispositifs assurant la résistance latérale;

2(54) Il est ajouté, après la sous-section 9.14.6., ce qui suit :

9.14.7. Drainage des fondations de maisons dans un sol à texture fine

9.14.7.1. Extérieur des murs de fondation

- 1) Le raccordement d'un système de drainage à l'intérieur d'un *bâtiment* se fait en installant un tuyau continu non perforé à travers la semelle depuis l'extérieur du mur jusqu'au puisard.

9.14.7.2. Drainage

- 1) Les tuyaux ou les tuiles de drainage périphérique doivent évacuer l'eau vers un égout, un fossé de drainage approuvé ou un puits perdu au moyen d'embranchements séparés d'au plus 15 m autour des *fondations*.

9.14.7.3. Embranchements

1) Les embranchements prévus à l'article 9.14.7.2. qui évacuent l'eau vers un égout, un fossé de drainage ou un puits perdu doivent :

- a) être constitués d'un tuyau de drainage droit non poreux et être d'une seule pièce commençant à l'extérieur de la semelle et aboutissant à un puisard;
- b) avoir une pente minimale de 1 sur 50.

9.14.7.4. Tuyau perforé

1) Le tuyau perforé est posé avec les perforations orientées vers le bas.

2) Les tuyaux perforés peuvent être raccordés au moyen de manchons d'accouplement.

2(55) Le paragraphe 9.15.1.1. 1) est remplacé par ce qui suit :

1) La présente section s'applique aux *fondations* conçues et construites pour des logements unifamiliaux, bifamiliaux ou en rangée (voir la section 9.35. pour les petits garages et les petits abris d'automobile et la partie 4 pour les autres *bâtiments*).

2(56) Il est ajouté, après l'article 9.15.2.4., ce qui suit :**9.15.2.5. Critères de conception**

1) Les semelles, les *fondations* et les murs de *fondation* ou de *sous-sol* doivent être conçus conformément au tableau 9.15.2.5. et à la présente section.

Tableau 9.15.2.5.
Semelles, fondations et murs de fondation ou de sous-sol
 Faisant partie intégrante du paragraphe 9.15.2.5. 1)

Type de sol	Type de matériaux de construction	Critères de conception	
		Semelles et fondations	Murs de fondation et de sous-sol
Sol à gros éléments ⁽¹⁾ (ex. : sable, gravier, pierres des champs, roches)	Béton	Tableau 9.15.3.4.	Tableau 9.15.4.2.A. Tableau 9.15.4.2.B.
	Maçonnerie	Interdite	Tableau 9.15.4.2.A. Tableau 9.15.4.2.B.
	Béton préfabriqué, acier	Section 4.2.	Section 4.3.
	Bois	Article 9.15.2.4.	Article 9.15.2.4.
Sol à texture fine (argiles, limon, shale)	Béton (coulé sur place)	Fig. 9.15.2.5.A. Murs à appui latéral – un <i>étage</i> Fig. 9.15.2.5.B. Murs à appui latéral – deux <i>étages</i> Fig. 9.15.2.5.C. Murs sans appui latéral Fig. 9.15.2.5.D. Dés @ 2,5 mètres c. à c. maximum Fig. 9.15.2.5.E. Dés @ 3 mètres c. à c. maximum Fig. 9.15.2.5.F. <i>Fondations</i> d'un garage attenant	
	Maçonnerie	Interdite	Section pertinente de la partie 4 du présent code ⁽²⁾
	Autres matériaux	Section 4.2. de la partie 4 du présent code	
Sol rempli de matières organiques (muskeg, terre végétale)	Tous les matériaux	Conçue par un <i>ingénieur</i>	
Pergélisol (zones connues ou présumées)	Tous les matériaux		

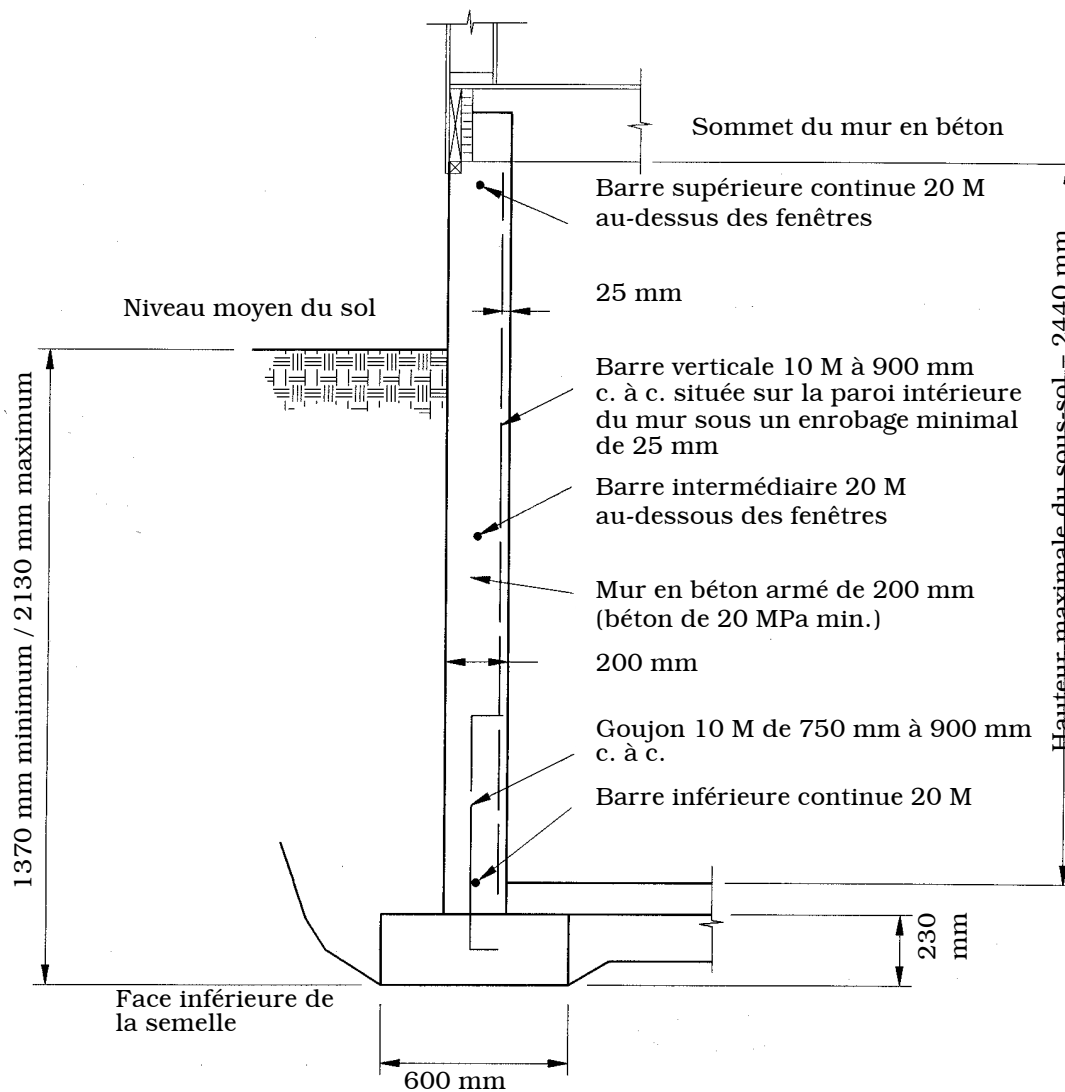
⁽¹⁾ Sols ayant une pression admissible de 75 kPa ou plus.

⁽²⁾ L'installation des murs de *fondation*, à l'exception des murs en béton coulé sur place dans les régions dont le *sol* est à texture fine, doit être approuvée par l'*autorité compétente*.

Figure 9.15.2.5.A.
Faisant partie intégrante du paragraphe 9.15.2.5. 1)

CONSOLIDATION MINIMALE DES
MURS DE FONDATION AVEC APPUI LATÉRAL

Jusqu'à 12 mètres de long dans un sol à texture fine



UN ÉTAGE

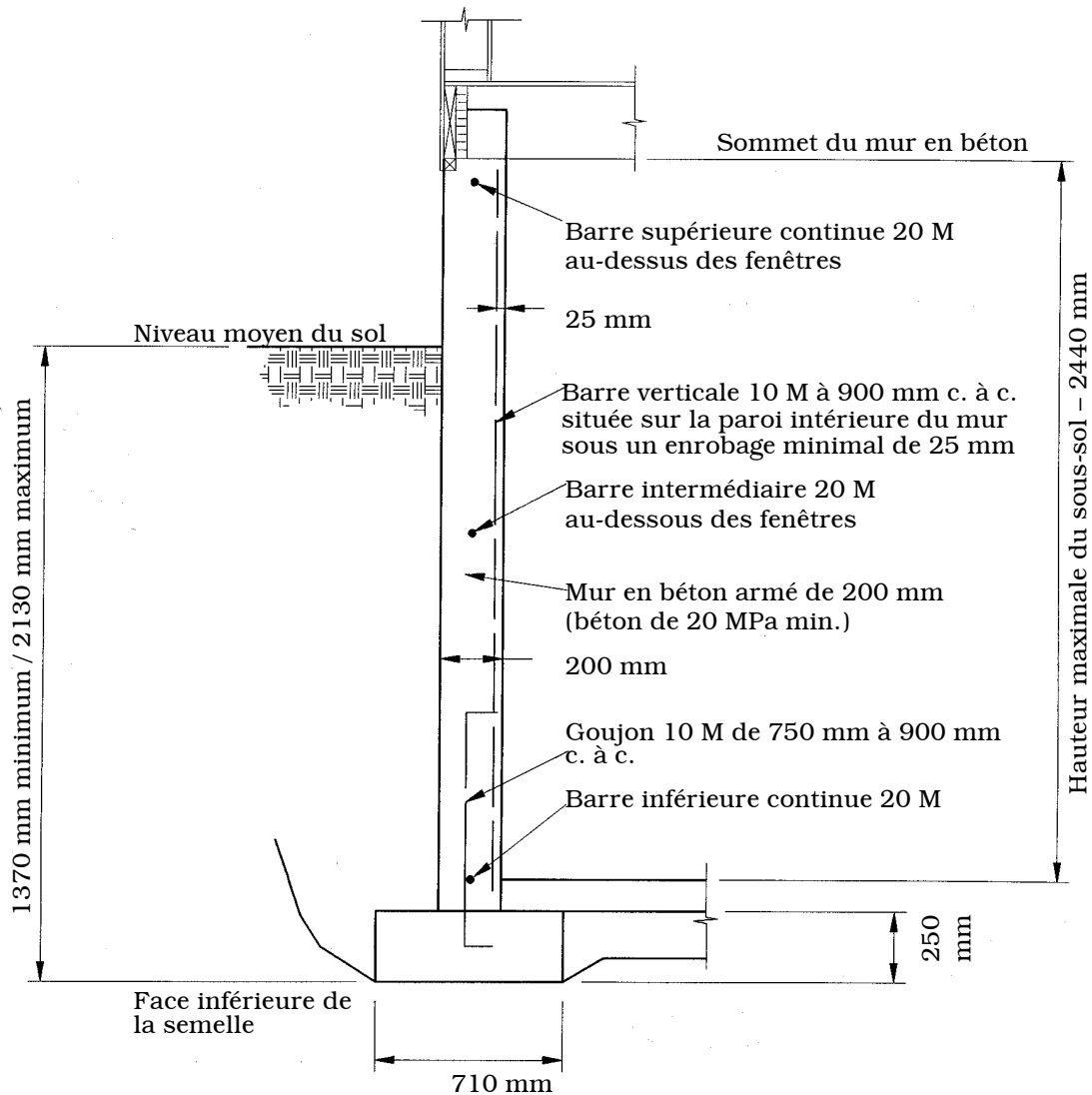
NOTES :

- 1) Les murs de plus de 12 mètres de long doivent être conçus par un *ingénieur*.
- 2) Dimensions minimales des semelles de poteau intérieures - 750 mm x 750 mm x 250 mm.
- 3) « M » désigne une barre métrique.

Figure 9.15.2.5.B.
Faisant partie intégrante du paragraphe 9.15.2.5. 1)

CONSOLIDATION MINIMALE DES
MURS DE FONDATION AVEC APPUI LATÉRAL

Jusqu'à 12 mètres de long dans un sol à texture fine



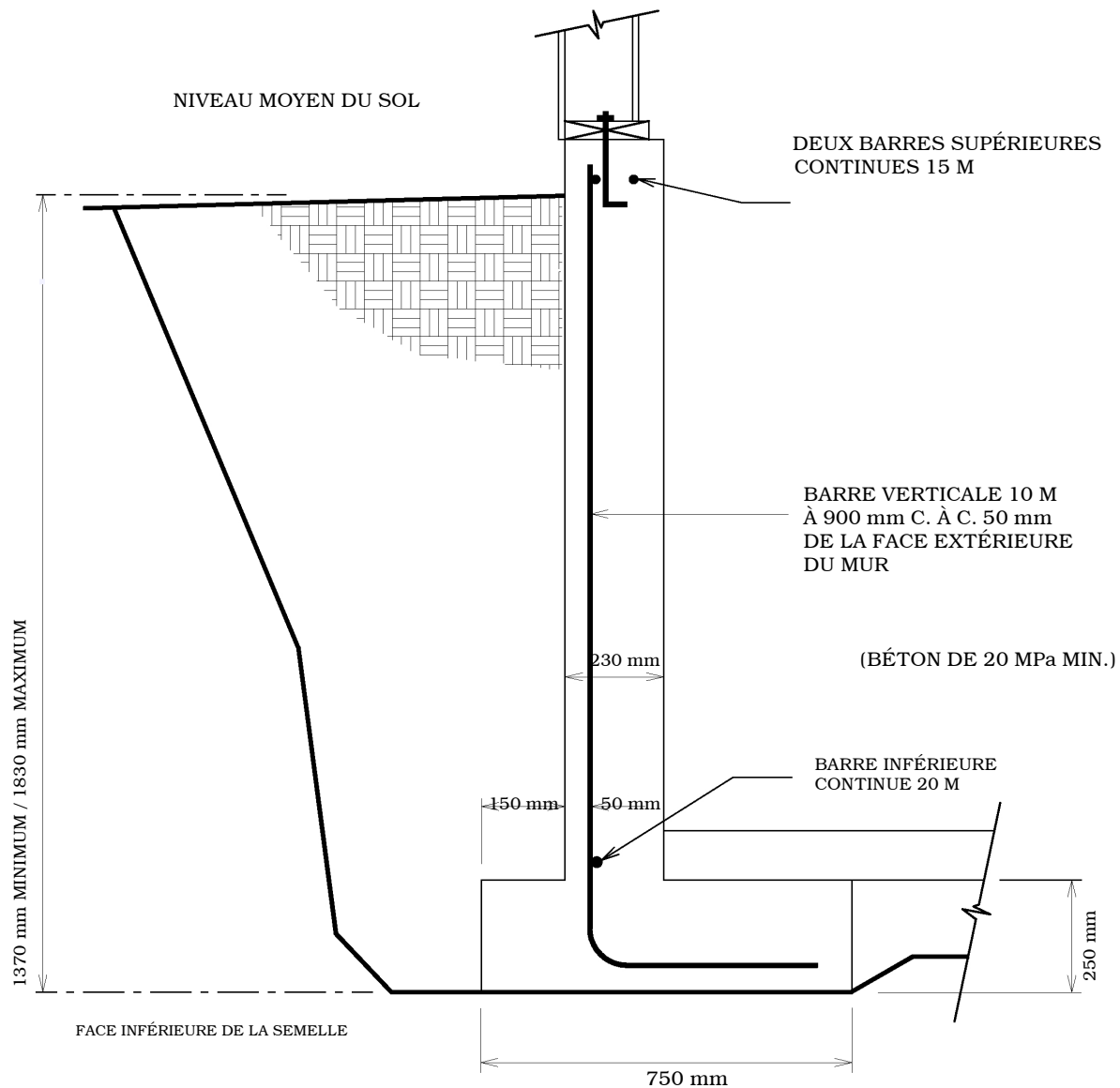
DEUX ÉTAGES

NOTES :

- 1) Les murs de plus de 12 mètres de long doivent être conçus par un *ingénieur*.
- 2) Dimensions minimales des semelles de poteau intérieures - 900 mm x 900 mm x 300 mm.
- 3) « M » désigne une barre métrique.

Figure 9.15.2.5.C.
Faisant partie intégrante du paragraphe 9.15.2.5. 1)

CONSOLIDATION MINIMALE DES
MURS DE FONDATION SANS APPUI LATÉRAL
JUSQU'À 12 MÈTRES DE LONG DANS UN SOL À TEXTURE FINE

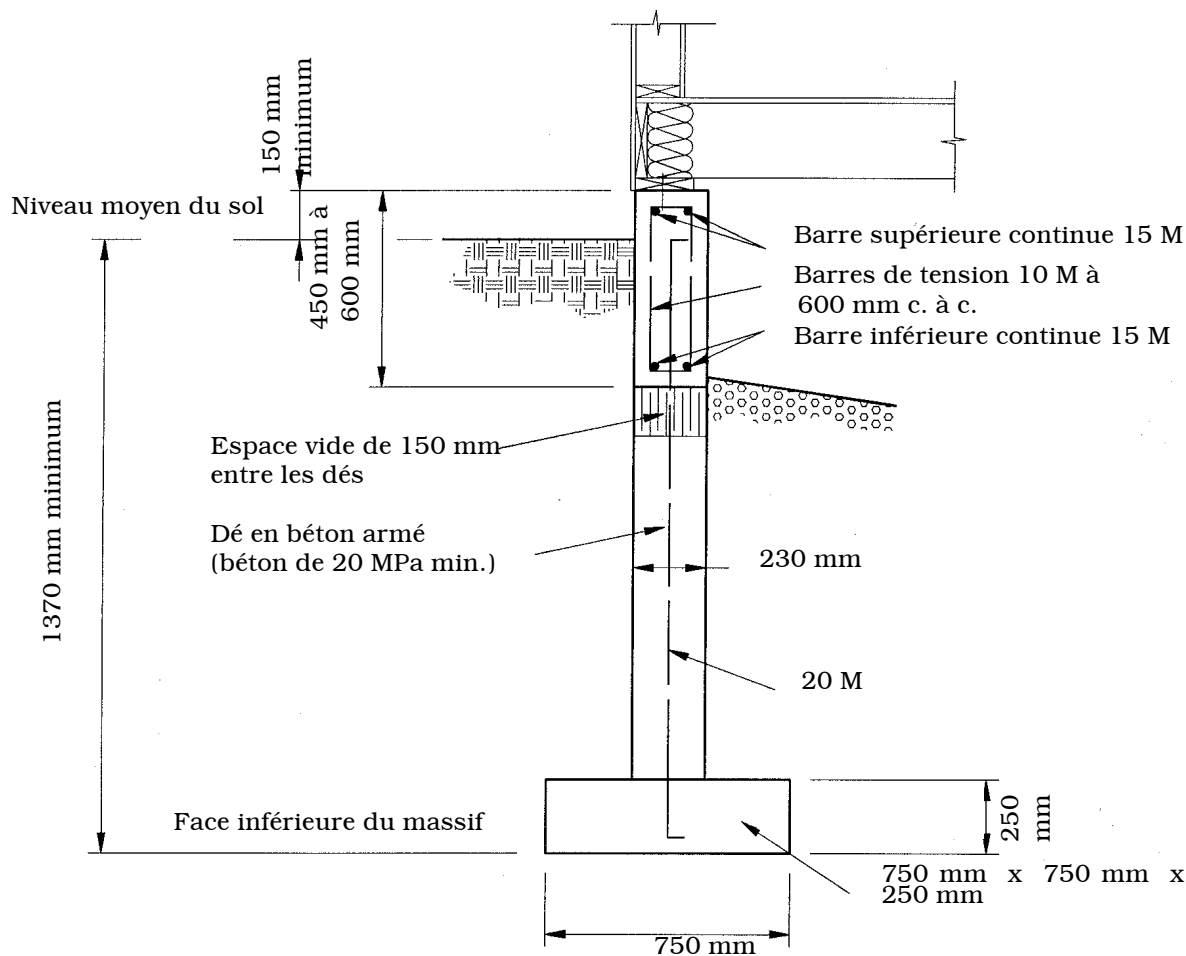


NOTES :

- 1) Les murs de plus de 12 mètres de long doivent être conçus par un *ingénieur*.
- 2) « M » désigne une barre métrique.

Figure 9.15.2.5.D.
Faisant partie intégrante du paragraphe 9.15.2.5. 1)

**CONSOLIDATION MINIMALE DES
DÉS ET POUTRES SUR LE SOL PÉRIPHÉRIQUES DANS DES SOLS À TEXTURE FINE
POUR LES LOGEMENTS D'UN ÉTAGE À OSSATURE DE BOIS**



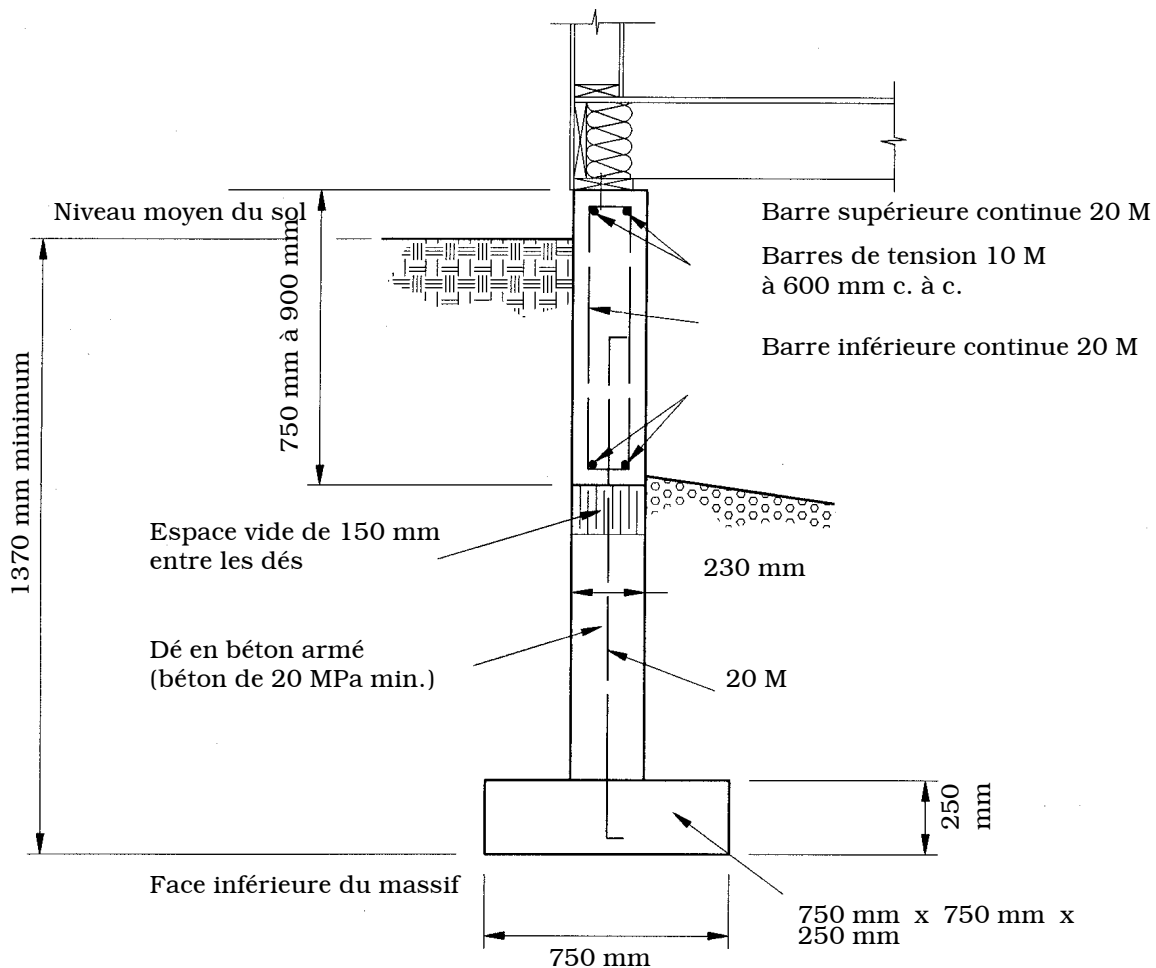
DÉS @ 2,5 mètres c. à c. MAXIMUM

NOTES :

- 1) La longueur supportée maximale des solives est de 2,44 mètres.
- 2) « M » désigne une barre métrique.

Figure 9.15.2.5.E.
Faisant partie intégrante du paragraphe 9.15.2.5. 1)

CONSOLIDATION MINIMALE DES
DÉS ET POUTRES SUR LE SOL PÉRIPHÉRIQUES DANS DES SOLS À TEXTURE FINE
POUR LES LOGEMENTS D'UN ÉTAGE À OSSATURE DE BOIS



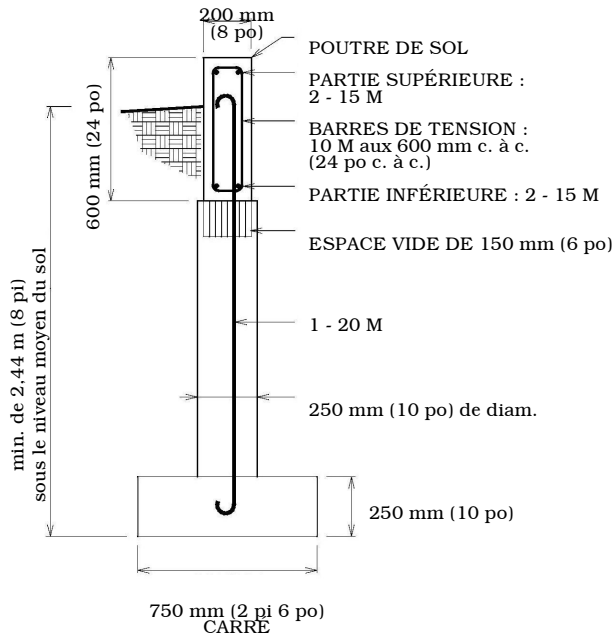
DÉS @ 3,0 mètres c. à c. MAXIMUM

NOTES :

- 1) La longueur supportée maximale des solives est de 3,05 mètres.
- 2) « M » désigne une barre métrique.

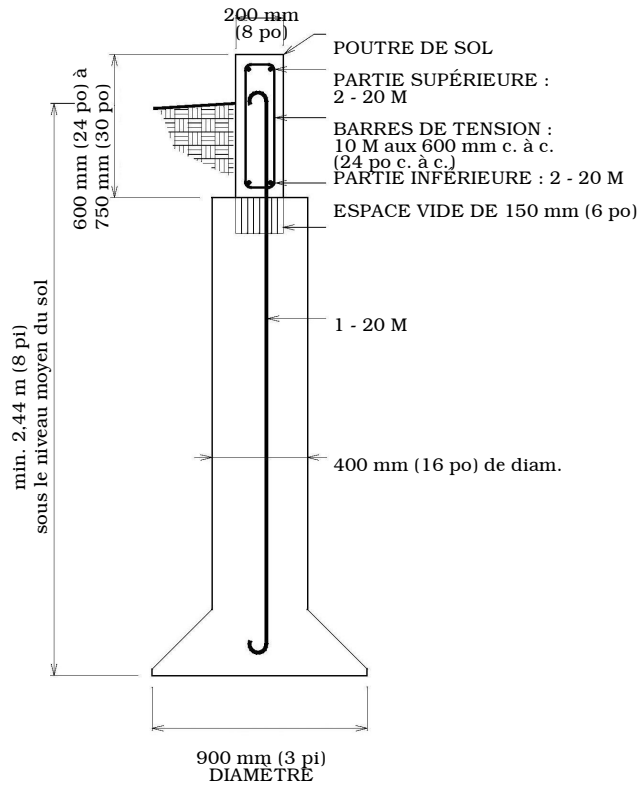
Figure 9.15.2.5.F.
Faisant partie intégrante du paragraphe 9.15.2.5. 1)

CONSOLIDATION MINIMALE DES POUTRES SUR LE SOL DANS DES
SOLS À TEXTURE FINE POUR LES GARAGES ATTENANTS D'UN ÉTAGE



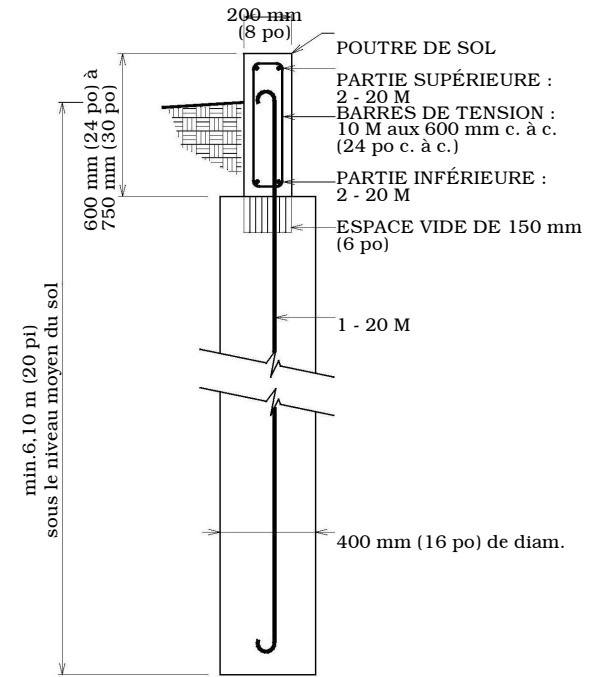
DÉS et MASSIF

Espacement max. de 2,44 m c. à c. (8 pi c. à c.)



PIEU ÉCLATÉ

Espacement max. de 3,66 m c. à c. (12 pi c. à c.)



PIEU FLOTTANT

Espacement max. de 3,66 m c. à c. (12 pi c. à c.)

2(57) [Abrogé] R.M. 52/2015

2(58) Il est ajouté, après la sous-section 9.28.6., ce qui suit :

9.28.7. Mise en œuvre du stucco — maisons unifamiliales, bifamiliales et en rangée

9.28.7.1. Application de deux couches — maisons unifamiliales, bifamiliales et en rangée

1) Malgré la sous-section 9.28.6., la présente sous-section s'applique aux maisons unifamiliales, bifamiliales ou en rangée.

9.28.7.2. Basses températures

1) Le support du stucco doit être maintenu à l'abri du gel.

2) Le stucco doit conserver une température d'au moins 4 degrés C pendant sa mise en œuvre et pendant une période d'au moins 48 heures par la suite.

9.28.7.3. Nombre de couches et épaisseur totale

1) Le stucco doit être constitué d'au moins une couche de fond et une couche de finition, produisant ainsi une épaisseur totale d'au moins 15 mm, mesurée à partir de la face du papier de revêtement du mur ou, s'il n'y a pas de lattis, de la face de la maçonnerie.

9.28.7.4. Première couche

1) La première couche doit avoir au moins 9 mm d'épaisseur, mesurée à partir de la face du papier de revêtement du mur ou de la maçonnerie, et elle doit enrober complètement le lattis.

2) La surface de la première couche doit être striée pour faciliter l'accrochage de la deuxième couche.

9.28.7.5. Couche de finition

1) L'épaisseur de la couche de finition doit être d'au moins 6 mm.

2) La couche de finition doit être appliquée à une température d'au moins 4 degrés C qui doit être maintenue pendant 48 heures après la fin des travaux.

2(59) [Abrogé] R.M. 52/2015

2(60) Le paragraphe 9.32.3.9. 2) est modifié par adjonction, après l'alinéa d), de ce qui suit :

e) être raccordés aux *avertisseurs de fumée* si ces derniers sont exigés en vertu de l'article 9.10.19.1.

2(60.1) Le passage introductif du paragraphe 9.36.1.3. 1) est modifié par substitution, à « des paragraphes 2) à 5) », de « des paragraphes 2) à 6) ».

2(60.2) L'article 9.36.1.3. est modifié par adjonction, après le paragraphe 5), de ce qui suit :

6) Les bâtiments temporaires, y compris les baraquements, sont exemptés des exigences de la présente section.

2(60.3) Il est ajouté, après paragraphe 9.36.2.2. 4), ce qui suit :

4.1) Les ensembles de construction opaques ou les parties de ces ensembles indiqués à la colonne 1 du tableau A-9.36.2.2. 4.1)A. ou du tableau A-9.36.2.2. 4.1)B. de l'annexe A sont réputés présenter la résistance thermique effective indiquée à la colonne 2 de ces tableaux. Il n'est pas nécessaire de procéder aux calculs ni aux essais en laboratoire visés au paragraphe 4) en vue de la détermination de la résistance thermique effective des ensembles (voir l'annexe A).

2(60.4) Le tableau 9.36.2.6.B. est remplacé par ce qui suit :

Tableau 9.36.2.6.B.
Résistance thermique effective des ensembles de construction opaques hors sol
des bâtiments comportant un ventilateur récupérateur de chaleur
Faisant partie intégrante du paragraphe 9.36.2.6. 1)

Ensemble de construction opaque hors sol	Degrés-jours de chauffage pour l'emplacement du bâtiment ⁽¹⁾ , en degrés-jours Celsius		
	Zone 7A 5000 à 5999	Zone 7B 6000 à 6999	Zone 8 ≥ 7000
	Résistance thermique effective minimale (RSI), en (m ² ·K)/W (valeurs R réelles en pi ² ·°F·h/Btu)		
Plafond sous des combles	8,50 (R48,3)	8,50 (R48,3)	8,50 (R48,3)
Plafond cathédrale et toiture-terrasse	5,02 (R28,5)	5,02 (R28,5)	5,02 (R28,5)
Mur ⁽²⁾⁽³⁾	2,80 (R15,9)	2,80 (R15,9)	3,08 (R17,5)
Plancher au-dessus d'un espace non chauffé	5,02 (R28,5)	5,02 (R28,5)	5,02 (R28,5)

⁽¹⁾ Voir l'article 1.1.3.1.

⁽²⁾ Voir le paragraphe 9.36.2.8. 3) pour les exigences relatives aux parties hors sol des murs de *fondation*.

⁽³⁾ Les murs dont la hauteur dépasse la hauteur maximale sans appui visée au tableau 9.23.10.1. peuvent présenter une valeur RSI (R) de 0,03 (R0,17) inférieure à celle exigée.

2(60.5) Le tableau 9.36.2.8.B. est remplacé par ce qui suit :

Tableau 9.36.2.8.B.
Résistance thermique effective des ensembles au-dessous du niveau moyen du sol
ou en contact avec le sol des bâtiments comportant un ventilateur récupérateur de chaleur
 Faisant partie intégrante des paragraphes 9.36.2.8. 1) à 9)

Ensemble de construction au-dessous du <i>niveau moyen du sol</i> ou en contact avec le sol ⁽¹⁾	Degrés-jours de chauffage pour l'emplacement du <i>bâtiment</i> ⁽²⁾ , en degrés-jours Celsius		
	Zone 7A 5000 à 5999	Zone 7B 6000 à 6999	Zone 8 ≥7000
	Résistance thermique effective minimale (RSI), en (m ² ·K)/W (valeurs R réelles en pi ² ·°F·h/Btu)		
Murs de <i>fondation</i>	2,80 (R15,9)	2,80 (R15,9)	2,80 (R15,9)
Planchers non chauffés ⁽³⁾ sous la ligne de gel ⁽⁴⁾⁽⁵⁾ au-dessus de la ligne de gel ⁽⁵⁾	non isolés	non isolés	non isolés
	1,96 (R11,1)	1,96 (R11,1)	1,96 (R11,1)
Planchers chauffés et non chauffés sur pergélisol	s/o	4,44 (R25,2)	4,44 (R25,2)
Planchers chauffés ⁽⁶⁾	2,84 (R16,1)	2,84 (R16,1)	2,84 (R16,1)
Dalle sur terre-plein à semelle intégrée ⁽⁶⁾	2,84 (R16,1)	2,84 (R16,1)	3,72 (R21,1)

⁽¹⁾ Voir l'annexe A.

⁽²⁾ Voir l'article 1.1.3.1.

⁽³⁾ Ne s'applique pas aux planchers au-dessous du *niveau moyen du sol* situés au-dessus des vides sanitaires chauffés.

⁽⁴⁾ S'applique habituellement aux planchers sur sol dans les *sous-sols* pleine hauteur.

⁽⁵⁾ La « ligne de gel » fait référence à la ligne de gel intacte avant la construction de la maison.

⁽⁶⁾ Voir au paragraphe 9.25.2.3. 5) l'exigence relative à la mise en œuvre de l'isolant. La conception des dalles sur terre-plein comportant une semelle intégrée est traitée dans la partie 4 (voir l'article 9.16.1.2.).

2(60.6) Il est ajouté, à la fin de l'article 9.36.2.9., ce qui suit :

7) Lorsque la conformité d'un *bâtiment* aux paragraphes 1) à 6) ne peut pas être établie au moyen d'une vérification visuelle, un essai d'étanchéité à l'air peut être effectué selon la norme CAN.CGSB-149.10-M86, « Détermination de l'étanchéité à l'air des enveloppes de bâtiment par la méthode de dépressurisation au moyen d'un ventilateur ». Un taux de fuite d'air du *bâtiment* d'au plus 2,5 renouvellements d'air par heure sous une pression différentielle de 50 Pa est réputé comme étant conforme aux exigences du présent article.

2(60.7) Il est ajouté, après l'article 9.36.3.8., ce qui suit :

9.36.3.8.1. Ventilateurs récupérateurs de chaleur ou d'énergie requis

1) Si une installation autonome de ventilation mécanique assure la ventilation soit d'un seul *logement*, soit d'un *logement* et d'un *logement accessoire*, le composant principal d'extraction de l'installation doit être muni d'un récupérateur de chaleur.

2(60.8) Le tableau 9.36.3.10. est modifié :

a) dans la rangée « Systèmes biblocs », par substitution dans la dernière colonne, à « SEER = 14,5 », de « SEER = 13 »;

b) dans la rangée « Générateurs d'air chaud au gaz », par substitution dans la dernière colonne, à « AFUE ≥ 92 % », d' « AFUE ≥ 94 % ».

2(60.9) Il est ajouté, après l'article 9.36.4.6., ce qui suit :

9.36.4.7. Récupérateurs de chaleur des eaux grises

1) Des récupérateurs de chaleur des eaux grises doivent être installés dans les *bâtiments* à usage d'*habitation* en vue de la récupération des eaux grises provenant d'au moins une douche située dans chaque *logement*.

2) Sont soustraits à l'application du paragraphe 1) les *logements* qui, selon le cas :

a) ne sont pas munis de douches;

b) sont munis de douches qui ne sont pas situées au-dessus d'*étages*.

3) Les récupérateurs de chaleur des eaux grises devront être conformes à la norme CSA B55.2, « Récupérateurs de chaleur des eaux grises ».

4) L'efficacité et la perte de charge des récupérateurs de chaleur des eaux grises doivent être déterminées en conformité avec la norme CSA B55.1, « Méthode d'essai pour la mesure de l'efficacité et de la perte de charge des récupérateurs de chaleur des eaux grises ».

5) Lorsque des essais sont effectués conformément au paragraphe 4), le taux d'efficacité minimal des récupérateurs de chaleur des eaux grises est fixé à 42 %.

6) Lorsque des essais sont effectués conformément au paragraphe 4), la perte de charge maximale — côté eau potable — des récupérateurs de chaleur des eaux grises est fixée à :

a) 20,7 kPa, s'ils sont utilisés pour approvisionner en eau deux douches ou moins d'un réseau ayant une *configuration à débits égaux* ou trois douches ou moins d'un réseau ayant une *configuration à débits inégaux*;

- b) 13,8 kPa, s'ils sont utilisés pour approvisionner en eau plus de deux douches d'un réseau ayant une *configuration à débits égaux* ou plus de trois douches d'un réseau ayant une *configuration à débits inégaux*.

7) Les récupérateurs de chaleur des eaux grises peuvent fournir de l'eau préchauffée à un maximum de six douches d'un réseau ayant une *configuration à débits égaux* ou *inégaux*.

8) Les récupérateurs de chaleur des eaux grises doivent être installés selon les critères suivants :

- a) en position verticale, un écart d'au plus 5° étant permis;
- b) dans une position dans laquelle la connexion de l'alimentation d'eau froide est située au bas des appareils;
- c) en aval de l'emplacement d'un adoucisseur d'eau;
- d) dans un *espace climatisé* ou du côté chaud du point de rosée du mur.

2(61) Il est ajouté, après la partie 9, ce qui suit :

Partie 10

Normes de construction spéciales

Section 10.1. Piscines privées

10.1.1. Domaine d'application

10.1.1.1. Domaine d'application

1) La présente partie s'applique aux *piscines privées*.

2) Les piscines non privées doivent être conformes aux exigences de la *Loi sur la santé publique* et aux règlements d'application de cette loi.

10.1.2. Clôtures et moyens d'accès

10.1.2.1. Enceintes

1) Les *piscines privées* extérieures doivent être entourées d'une clôture ou d'une enceinte appropriée construite conformément aux exigences suivantes :

- a) sa hauteur doit être d'au moins 1,5 m;
- b) elle ne peut comporter d'autres ouvertures qu'une porte donnant accès à un *bâtiment* ou qu'une barrière conforme à l'alinéa c) et il doit être impossible à un enfant de ramper sous la clôture ou la barrière;

- c) les barrières doivent se fermer d'elles-mêmes, être d'une hauteur minimale de 1,5 m et s'enclencher au moyen d'un loquet verrouillable afin d'interdire l'accès aux personnes non autorisées;
- d) si la clôture est grillagée, la surface extérieure de la clôture ou de la barrière doit être au moins de calibre 11;
- e) si la clôture n'est pas grillagée, sa surface extérieure, ainsi que celle de la barrière, doit être unie et n'offrir aucun point d'appui aux pieds ou aux orteils;
- f) si l'*autorité compétente* estime que certaines particularités de l'enceinte sont inacceptables, des mesures appropriées doivent être prises en vue de corriger la situation.

10.1.2.2. Entretien

- 1) L'enceinte entourant une *piscine privée* extérieure doit toujours être maintenue en bon état.

10.1.2.3. Couvertres de cuves thermales

- 1) Il n'est pas obligatoire d'entourer d'une clôture les cuves thermales installées à l'extérieur sur le terrain d'une *habitation* unifamiliale si :
 - a) leur diamètre ne dépasse pas 2,4 m ou si leur surface totale est d'au plus 4,65 m²;
 - b) le couvercle :
 - i) possède une structure suffisamment forte pour supporter le poids d'un adulte qui marche dessus lorsqu'il est fermé;
 - ii) peut être verrouillé lorsqu'il repose sur la cuve afin d'y interdire l'accès aux personnes non autorisées;
 - c) lorsque leur utilisation n'est pas supervisée par un adulte, elles sont recouvertes en tout temps d'un couvercle conforme aux exigences de l'alinéa b) et verrouillé.
- 2) Les cuves thermales pouvant contenir plus de 600 mm d'eau qui sont installées à l'extérieur sur le terrain d'une *habitation* unifamiliale doivent posséder un couvercle conforme aux alinéas 1)b) et c).

10.1.3. Câblage électrique

10.1.3.1. Exigences générales en matière d'électricité

- 1) Les installations électriques doivent être conformes au *Code de l'électricité du Manitoba*.
- 2) Les pièces métalliques des *piscines privées*, y compris l'acier d'armature, doivent être reliées à la terre conformément aux exigences du *Code de l'électricité du Manitoba*.

10.1.3.2. Fils aériens

1) Il est interdit de poser des fils aériens au-dessus d'une *piscine privée*, y compris des structures connexes, telles qu'un plongoir, une estrade d'observation, une tour ou une plate-forme, ou au-dessus de la surface s'étendant horizontalement jusqu'à 3 m du bord de la piscine. Il est également interdit d'installer une *piscine privée* ou des structures connexes en deçà d'une distance de 3 m — mesurée horizontalement à partir du bord de la piscine — de fils aériens existants.

2) Les fils aériens qui suivent peuvent être situés à l'intérieur des limites mentionnées au paragraphe 1) si l'*autorité compétente* estime qu'il n'est pas pratique de se conformer à ces exigences :

- a) les fils de télécommunications et les câbles supportés par un fil neutre et transportant un courant sous une tension de 600 V, pourvu qu'il existe un dégagement minimal de 4,5 m (mesuré suivant le rayon);
- b) les fils transportant un courant sous une tension maximale de 50 kV phase à phase, pourvu qu'il existe un dégagement minimal de 7,5 m (mesuré suivant le rayon).

10.1.3.3. Câblage sous-terrain

1) Il est interdit de construire une *piscine privée* à moins de 1,5 m de fils électriques souterrains, y compris des fils de télécommunication, et il est interdit de poser des fils électriques souterrains, y compris des fils de télécommunication, à moins de 1,5 m des parois intérieures d'une *piscine privée*.

2) Le paragraphe 1) ne s'applique pas aux conducteurs de raccordement ni aux fils électriques qui alimentent le matériel relié à la piscine lorsqu'ils sont protégés par un disjoncteur en cas de mise à la terre défectueuse.

10.1.4. Exigences en matière de plomberie**10.1.4.1. Anti-refoulement**

1) L'eau dans une *piscine privée* et dans son système de recirculation doit être séparée de l'eau de remplissage ainsi que de l'égout ou du système de drainage par des écarts anti-retour ou des dispositifs anti-refoulement.

10.1.4.2. Évacuation de l'eau

1) L'eau usée de la piscine doit être évacuée directement dans l'égout des eaux sanitaires ou dans le collecteur pluvial ou être retenue dans les limites du terrain du *propriétaire*.

10.1.5. Exigences en matière de structure

10.1.5.1. Conception

1) La conception de la structure des *piscines privées* creusées doit porter le sceau d'un *ingénieur* spécialisé dans ce type de conception.

2(62) L'annexe A est modifiée par adjonction, après le paragraphe A-9.36.2.2. 3), de ce qui suit :

A-9.36.2.2. 4.1) Ensembles courants pour lesquels les calculs ne sont pas requis.

Pour aider les utilisateurs du CNB à se conformer aux exigences des tableaux 9.36.2.6.A., 9.36.2.6.B., 9.36.2.8.A. et 9.36.2.8.B. et leur éviter de faire les calculs indiqués au paragraphe 9.36.2.2. 4) à l'égard des murs utilisés couramment, les tableaux A-9.36.2.2. 4.1)A. et A-9.36.2.2. 4.1)B. figurant ci-dessous répertorient différents types de murs hors sol et de murs de *fondation* et les valeurs de résistances thermique s'y appliquant.

En plus des ossatures et des isolants indiqués, chaque mur répertorié au tableau A-9.36-9.36.2.2. 4.1)A. comporte un revêtement intermédiaire en panneaux OSB de 11 mm, un revêtement intérieur de finition en plaque de plâtre de 12,7 mm et un revêtement en stucco de 15 mm d'épaisseur. Les valeurs RSI tiennent compte des films d'air intérieurs et extérieurs.

En plus des ossatures et des isolants indiqués, chaque mur répertorié au tableau A-9.36.2.2. 4.1)B. comporte du béton coulé sur place de 200 mm et un espace d'air de 25 mm. Les valeurs RSI tiennent compte des films d'air intérieurs.

Tableau A-9.36.2.2. 4.1)A.
Valeurs de résistance thermique effective (RSI)
des murs hors sol utilisés couramment

Configuration d'ossature et isolant	Résistance thermique effective (RSI), en (m ² ·K)/W (valeurs R réelles en pi ² ·°F·h/Btu)
Ossature de bois de 38 x 89 mm, espacement entre axes de 610 mm, isolant R-12 dans la cavité et PSX de 25 mm à l'extérieur ⁽¹⁾	2,8 (R15,9)
Ossature de bois de 38 x 140 mm, espacement entre axes de 610 mm, isolant R-20 dans la cavité ⁽¹⁾	2,9 (R16,4)
Ossature de bois de 38 x 140 mm, espacement entre axes de 406 mm, isolant R-22 dans la cavité ⁽¹⁾	2,9 (R16,5)
Ossature de bois de 38 x 140 mm, espacement entre axes de 610 mm, isolant R-22 dans la cavité ⁽¹⁾	3,0 (R17,0)
Ossature de bois de 38 x 89 mm, espacement entre axes de 610 mm, isolant R-12 dans la cavité et PSX de 38 mm à l'extérieur ⁽¹⁾	3,2 (R18,2)
Ossature de bois de 38 x 89 mm, espacement entre axes de 406 mm, isolant R-12 dans la cavité et PSX de 50 mm à l'extérieur ¹⁾	3,5 (R19,9)
Ossature de bois de 38 x 89 mm, espacement entre axes de 610 mm, isolant R-12 dans la cavité et PSX de 50 mm à l'extérieur ⁽¹⁾	3,6 (R20,4)
Ossature de bois de 38 x 140 mm, espacement entre axes de 406 mm, isolant R-20 dans la cavité et PSX de 38 mm à l'extérieur ⁽¹⁾	4,1 (R23,3)
Ossature de bois de 38 x 140 mm, espacement entre axes de 610 mm, isolant R-20 dans la cavité et PSX de 38 mm à l'extérieur ⁽¹⁾	4,2 (R23,8)
Ossature de bois de 38 x 140 mm, espacement entre axes de 406 mm, isolant R-22 dans la cavité et PSX de 38 mm à l'extérieur ⁽¹⁾	4,2 (R23,8)
Ossature de bois de 38 x 140 mm, espacement entre axes de 610 mm, isolant R-22 dans la cavité et PSX de 38 mm à l'extérieur ⁽¹⁾	4,3 (R25,0)

⁽¹⁾ En plus des configurations d'ossature et d'isolant indiquées, les murs comportent un revêtement intermédiaire en panneaux OSB de 11 mm, un revêtement intérieur de finition en plaque de plâtre de 12,7 mm et un revêtement en stucco de 15 mm d'épaisseur.

Tableau A-9.36.2.2. 4.1)B.
Valeurs de résistance thermique effective (RSI) des murs
au-dessous du niveau moyen du sol ou en contact avec le sol
utilisés couramment

Configuration d'ossature et isolant	Résistance thermique effective (RSI), en (m ² ·K)/W (valeurs R réelles en pi ² ·°F·h/Btu)
Ossature de bois de 38 x 89 mm, espacement entre axes de 610 mm, isolant R-20 dans la cavité ⁽¹⁾	2,8 (R15,9)
Ossature de bois de 38 x 89 mm, espacement entre axes de 610 mm, isolant R-22 dans la cavité ⁽¹⁾	2,9 (R16,5)
Ossature de bois de 38 x 89 mm, espacement entre axes de 610 mm, isolant R-24 dans la cavité ⁽¹⁾	3,0 (R17,0)
Ossature de bois de 38 x 89 mm, espacement entre axes de 610 mm, deux couches d'isolant R-12 ⁽¹⁾⁽²⁾	4,2 (R23,8)

⁽¹⁾ En plus des configurations d'ossature et d'isolant indiquées, les murs comportent du béton coulé sur place de 200 mm. L'espacement entre l'isolant et le mur de *fondation* est d'au moins 25 mm.

⁽²⁾ La première couche d'isolant est mise en place horizontalement. La deuxième couche est installée dans l'espace entre les poteaux.

R.M. 31/2011; 175/2012; 48/2013; 214/2013; 52/2015; 222/2015; 5/2017

3(1) Le présent article modifie la division C.

3(2) Il est ajouté, après l'article 2.2.2.2., ce qui suit :

2.2.2.3. Recours obligatoire aux concepteurs

1) Les plans, dessins et documents connexes qui accompagnent une demande de construction d'un *bâtiment* visé par l'article 1.3.3.2. de la division A sont établis, signés et scellés par un *architecte* et un *ingénieur* spécialisés, ou par l'un d'eux, conformément au tableau 2.2.2.3.

Tableau 2.2.2.3.
Recours obligatoire aux concepteurs professionnels
 Faisant partie intégrante du paragraphe 2.2.2.3. 1)

Classification des bâtiments	Recours obligatoire aux concepteurs*
Groupe A : établissements de réunion (à l'exception du groupe A, division 3 : arénas ayant au maximum 1000 sièges fixes)	<i>Architecte</i> et <i>ingénieur</i>
Groupe A, division 3 : arénas <i>Bâtiments</i> ayant au maximum 1000 sièges fixes	<i>Architecte</i> ou <i>ingénieur</i>
Groupe B : établissements de soins ou de détention	<i>Architecte</i> et <i>ingénieur</i>
Groupe C : habitations <i>Bâtiments</i> ayant une <i>aire de bâtiment</i> de plus de 600 m ² ou comptant plus de trois <i>étages</i>	<i>Architecte</i> et <i>ingénieur</i>
Groupe D : établissements d'affaires <i>Bâtiments</i> ayant une <i>aire de bâtiment</i> de plus de 600 m ² ou comptant plus de trois <i>étages</i>	<i>Architecte</i> et <i>ingénieur</i>
Groupe E : établissements commerciaux <i>Bâtiments</i> ayant une <i>aire de bâtiment</i> de plus de 600 m ² ou comptant plus de trois <i>étages</i>	<i>Architecte</i> et <i>ingénieur</i>
Groupe F, division 1 : établissements industriels à risques très élevés	<i>Architecte</i> ou <i>ingénieur</i>
Groupe F, divisions 2 et 3 : établissements industriels à risques moyens et faibles <i>Bâtiments</i> ayant une <i>aire de bâtiment</i> de plus de 600 m ² ou comptant plus de trois <i>étages</i>	<i>Architecte</i> ou <i>ingénieur</i>
Bâtiments agricoles visés à la section 3.10 de la division B	<i>Architecte</i> ou <i>ingénieur</i>

* Les concepteurs doivent être spécialisés dans le type de travail à accomplir.

2) Si l'*autorité compétente* détermine que les *transformations* apportées à un *bâtiment* que vise l'article 1.3.3.2. de la division A auront ou pourraient vraisemblablement avoir une incidence considérable sur l'intégrité des éléments qui suivent, les plans, dessins et documents connexes qui accompagnent la demande d'autorisation de *transformation* doivent être établis, signés et scellés par un *architecte* et un *ingénieur* spécialisés, ou par l'un d'eux, selon ce qu'elle décide compte tenu du type de travail à accomplir :

- a) les systèmes de sécurité incendie, y compris les avertisseurs d'incendie, les extincteurs automatiques et les canalisations;
- b) les éléments visant à assurer la sécurité des personnes, y compris les *issues*, les entrées et les *corridors communs*;
- c) les *compartiments à l'épreuve du feu*, y compris les *séparations coupe-feu* verticales ou horizontales;
- d) la stratégie structurale;
- e) les installations visant à séparer le *bâtiment* de l'extérieur, y compris l'*enveloppe de bâtiment*;
- f) les installations de chauffage, de ventilation et de conditionnement d'air;
- g) l'*aire de plancher* pouvant notamment être aménagés au moyen d'une *mezzanine*, d'un *rajout* ou d'un autre élément semblable; ou
- h) un ou plusieurs des éléments mentionnés aux alinéas a) à g).

3) Chacun des *concepteurs* visés au paragraphe 2.2.2.3. 1) ou 2) établit, signe et scelle les plans, dessins et documents connexes qui se rapportent au type de travail dans lequel ils sont spécialisés.

3(3) L'article 2.2.4.2. est remplacé par ce qui suit :

2.2.4.2. Sceau professionnel et signature de l'ingénieur

1) Les dessins de la structure et les documents connexes soumis à l'appui de la demande de permis de construction d'un *bâtiment* doivent être datés et porter le sceau professionnel autorisé et la signature d'un *ingénieur* spécialisé dans le type de travail à accomplir.

3(4) Le paragraphe 2.2.7.2. 1) est remplacé par ce qui suit :

1) Le *concepteur*, ou toute autre personne qualifiée dont il a la responsabilité, doit examiner la construction des *bâtiments* ou d'une partie de ceux-ci afin de s'assurer qu'ils sont conformes à la conception.

3(5) Le paragraphe 2.2.7.3. 1) est remplacé par ce qui suit :

1) Le *concepteur*, ou toute autre personne qualifiée dont il a la responsabilité, doit examiner les dessins d'atelier et les autres documents connexes afin de s'assurer qu'ils sont conformes à la conception.

3(6) Le paragraphe 2.2.7.4. 1) est remplacé par ce qui suit :

1) Le *concepteur*, ou toute autre personne qualifiée dont il a la responsabilité, doit examiner les matériaux, la qualité d'exécution et les résultats des essais de matériaux aux différentes étapes de la construction.

4 [Abrogé]

R.M. 48/2013; 118/2014; 52/2015; 222/2015; 5/2017

